

File Name: 8803al manual.pdf

Size: 3623 KB

Type: PDF, ePub, eBook

Category: Book

Uploaded: 21 May 2019, 16:43 PM

Rating: 4.6/5 from 799 votes.



Status: AVAILABLE

Last checked: 15 Minutes ago!

In order to read or download 8803al manual ebook, you need to create a FREE account.

[**Download Now!**](#)

eBook includes PDF, ePub and Kindle version

[Register a free 1 month Trial Account.](#)

[Download as many books as you like \(Personal use\)](#)

[Cancel the membership at any time if not satisfied.](#)

[Join Over 80000 Happy Readers](#)

Book Descriptions:

We have made it easy for you to find a PDF Ebooks without any digging. And by having access to our ebooks online or by storing it on your computer, you have convenient answers with 8803al manual . To get started finding 8803al manual , you are right to find our website which has a comprehensive collection of manuals listed.

Our library is the biggest of these that have literally hundreds of thousands of different products represented.



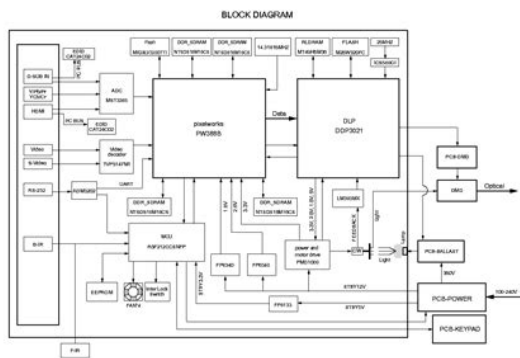
Book Descriptions:

8803al manual

Page Count 8 Failure to understand operation procedures may result in injury. Model 8802AL, 8803AL Model 8802AL, 8803AL EU Environmental Protection Waste electrical products should not be disposed of with household waste. Please recycle where facilities exist. Check with your local authority or retailer for recycling advice. Wireless Inspection Camera with Recordable Monitor INSPECTION TOOL T M T M L iquid increases the risk of electrical shock and damage to the product. The unit is not shock resistant. Do not use Explorer Standard as a hammer and avoid high impact resultant from things such as dropping the unit from height. Do not immerse camera handle or monitor in water. Avoid moisture, and store product in a dry place. Such measures reduce the risk of electric shock and damage. The lens and the tube are water resistant when the unit is fully assembled, but the monitor and handle are not. Do not use the camera if condensation forms inside the lens. Let the water evaporate before using again. Turn off the system if it is not in use. This product can only be completely disconnected from its power source by unplugging the power adapter. Do not cut the DC power cable of provided with this product to fit with another power source. Attention should be given to the environmental aspects of battery disposal. Remove the batteries when cleaning the unit. Remove the batteries before storing the unit for a long time. When necessary, REPLACE ALL FOUR BATTERIES in this unit with new ones, not one or two batteries at a time. Use only the size and type of battery specified. Be sure to insert all the battery with the correct polarity as indicated in the battery compartment. Properly dispose of batteries. Exposure to high temperatures can cause batteries to explode, so do not dispose of in a fire.

re. <http://www.de-gree.ru/userfiles/adobe-photoshop-elements-6-instruction-manual.xml>

- **8803al manual.**



Place tape over the terminals to prevent direct contact with other objects. Some countries have regulations concerning battery disposal. Please follow all applicable regulations. Features include water proof LEDs, real time recording, and micro SD card storage.

PACKING LIST LCD Monitor x 1 Handle x 1 Power Adapter x 1 Video cable x 1 Magnetic Bracket Optional Software CD x 1 USB cable x 1 Micro SD Card

Please properly align and twist the treaded knob clockwise until the connection is securely in place. Fasten the treaded knob Keyed end plugs into socket To connect the extension tube, first align the keyed end with the slot in the handle. Use slight force to push them together. Once properly aligned, twist the treaded knob clockwise until the connection is securely in place. Repeat this process to connect the other end of extension tube to flexible camera tube.

To Install Extension Tube To Install Accessories The three included accessories mirror, hook and magnet are all attached to the camera in the same way as illustrated below

To Install Monitor for Wired Use **EXPLORER PREMIUM** supports wired use by connecting the monitor to the camera handle. For GB8802 to replace accessory for installation, push down on stem side of black interface while pulling away from adjacent side. This will open the base of the accessory. Next, align inside of stem side to the threaded surface at the base of camera head. Tighten to secure the accessory in place. <http://mrpressconsulting.com/UserFiles/adobe-photoshop-elements-5-manual.xml>



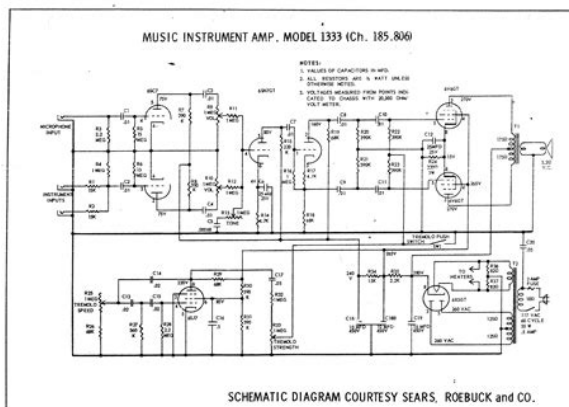
Click to lock up Aim at the cut of slot Wear the rubber ring Hook the hole For GB8802 F or GB8803 Installed successfully Slide the monitor downward Monitor Video Output Power Jack Menu Toggle Down Confirm Monitor Docking Station Reset Button USB Port MicroSD Card Slot Toggle Up Power Indicator Power Switch

The LCD monitor is now capable of outputting high quality video to another display. Video Output Twin LEDs provide lighting

3. When in use, the tube should easily

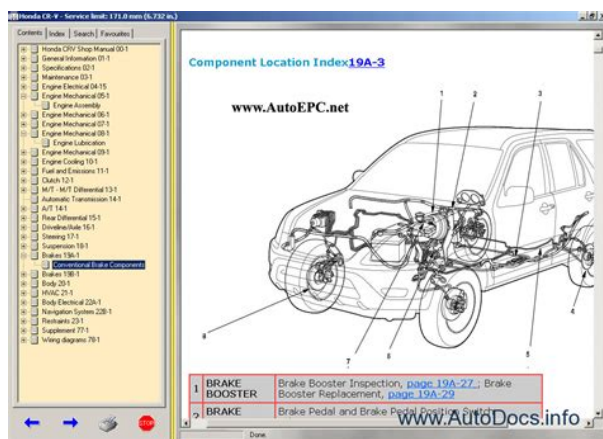
maneuver itself into position. Do not apply excessive force. TIP! The flexible tube can be bent into numerous shapes that may help you explore areas you otherwise thought were impossible to see. The accessories included with EXPLORER PREMIUM can be used to retrieve small items like dropped rings or screws. The power indicator LED will illuminate in a red and the battery capacity icon on the LCD will flicker, indicating that the battery is charging. When the red indicator light disappears, the battery has been fully charged. OK Select CH4 Select to record video or take pictures To Install Monitor Mounting Bracket Attach the magnetic mounting bracket to the monitor using the same method used to attach the monitor to the camera handle. To Insert SD Card SD card To Connect USB Cable CD driver G 3.5 Floppy Disk A Mobile Disk H NOTE. Use the provided USB cable to connect the monitor to any PC with a USB slot. Your computer should automatically recognize the new hardware, which you may browse by double clicking on the My Computer icon on your desktop, and then navigating into the Mobile Disk directory.

If your computer is unable to play back desired video files, please first install the video player software from the included CD. 1. As you roll the power switch to turn on the camera, the power indicator on the camera handle will light. The rolling switch then acts as a dimmer for the twin LEDs that surround the camera on the end of the flexible tube. 2. Press and hold the power switch for 2 seconds on the monitor until the power indicator illuminates green. Then press the button to select CH 4 channel 4, or until the picture from the lens is displayed on the monitor. To toggle between video recording and picture taking functions, press the button on the side of the monitor. Basic Operation Operation is subject to the following two conditions 1 This device may not cause harmful interference; 2 This device must accept any interference received, including that from man-made or natural sources. Changes or modifications not expressly approved by the party responsible for compliance could void the user's authority to operate the equipment. The graphics included in this user manual are subject to minor change without notice. Weight Imaging Sensor Total Pixels Modulation Type Power Supply Approx. Weight Operating Temperature Operating Humidity Max. Video Output Level Waterproof Capacity Receiving Sensitivity Transmission Frequency Bandwidth Unobstructed Effective Range Transmission Frequency Model No. LED sensor camera needed adjustment TROUBLESHOOTING Follow all safety precautions whenever diagnosing or servicing the tool. Disconnect power supply before service. Reference 59050350 Notify me when available Add email This product is not sold individually.



You must select at least 1 quantity for this product. Warning Last items in stock! 149.00 tax inc. Quantity Add to cart Print PDF More info Specification Inbox Accessories Reviews 6 Related products More info GosCam Explorer Premium 8803AL Inspection Camera BOROSCOPE 8803AL BOROSCOPE is yet another GosCam inspection camera designed to explore places which are normally hard to access. It can easily record and store video material for further use as it is extremely flexible. Pistol shaped main unit is equipped with thin flexible cable 1 meter in length. It allows to explore places as narrow as 9 mm in diameter. It is perfect for inspecting ventilation grates, tight gaps under pieces of furniture or in a car, and places potentially containing large amounts of water both camera and cable are waterproof . The lens of the flexible camera at the end of the cable features a system which triggers illuminating LEDs when the ambient light is not strong enough. Moreover, the camera can take pictures in order to save precious space on microSD card. Saved files can be played back on any multimedia player or standard Windows image viewer. 8803AL flexible inspection camera is a perfect inspecting device for anyone who needs camera designed to cope with difficult working conditions. Operation time up to 2 h Power supply monitor DC camera 4 x AA batteries Charging time up to 3 h Transmission range up to 10 m Display wireless, LCD Camera preview Photo function Waterproof Data storage microSD cards Photo format JPG Video resolution 640 480 Video format AVI Manufacturer GosCam GosCam Shenzhen Gospell Smarthome Electronic Co. Ltd. is a leading brand in wireless audio and video transmission devices sector. Join our newsletter Dont miss anything. Youll get news about sales, great discounts, fresh offers and software updates in Detective Store. You need to accept the conditions. Company number 09709834. VAT number GB 260358316.

<https://www.efg-badoeynhausen.de/images/canon-l300-service-manual.pdf>



You must have JavaScript enabled in your browser to utilize the functionality of this website. Please allow extra time for delivery or we will contact for further Information. GosCam Explorer Premium 8807AL allows access to the inside of the machine, pipe installation, builtup areas in the walls. Equipped with a special handle, which leads to a flexible 1 meter cable. At the end there is a camera lens and LED lighting. The device allows video recording and taking pictures at a resolution of 640x480. The recorded data is stored on the microSD memory card with up to 32GB it allows you to record about 20 hours of video . GosCam camera is waterproof. The camera is powered by AA batteries and ctrmi monitor is equipped with a separate battery pack. Features We only sell original products directly from the manufacturer, which guarantees the authenticity and quality is not improving. We guarantee our customers high quality equipment and professional advice. We provide warranty and postwarranty repairs. The device is identical to the Directive on Environmental Compliance and has a quality certificate CE and ISO 9001. Possibility to deduct 23% VAT for companies with VAT number. Like our many customers, we love tools. All rights reserved. Like our

many customers, we love tools. All rights reserved. Discover everything Scribd has to offer, including books and audiobooks from major publishers. Report this Document Download Now Save Save 8803 Inspection Camera Manual For Later 0 ratings 0% found this document useful 0 votes 141 views 12 pages 8803 Inspection Camera Manual Uploaded by goetzn Description Full description Save Save 8803 Inspection Camera Manual For Later 0% 0% found this document useful, Mark this document as useful 0% 0% found this document not useful, Mark this document as not useful Embed Share Print Download Now Jump to Page You are on page 1 of 12 Search inside document Browse Books Site Directory Site Language English Change Language English Change Language.

<http://gentaur-diagnostics.com/images/canon-l300-parts-manual.pdf>

Approved third parties also use these tools in connection with our display of ads. Sorry, there was a problem saving your cookie preferences. Try again. Accept Cookies Customise Cookies Please try again. Create a free account Also check our best rated CCTV Camera reviews Please try your search again later. You can edit your question or post anyway. For exceptions and conditions, see Return details. To calculate the overall star rating and percentage breakdown by star, we don't use a simple average. Instead, our system considers things like how recent a review is and if the reviewer bought the item on Amazon. It also analyses reviews to verify trustworthiness. Please read the User Manual carefully before using this product. The product is designed as a remote inspection device. It can be used to look into tight spots and beam back realtime video to monitor. Steps of installation as following To Install Batteries 1. I ItiiiI Dry your hands before installation or replacing batteries. To Install Camera With Flexible Tube Connect the camera with tube to the body, make sure the keyed ends are properly aligned. Once they are aligned, finger tighten the knurled knob to hold the connection In place. 3 To Install Monitor for Wired Use The product also supports wired use by connect the monitor to camera. Slide the monitor downward at I! Ichad Both sides Installed successfully other. The builtin Ubattery will be charged after the adapter is plugged in, and the Red indicator lights up during charging and will tum off after a full charge. Video Input Insert the video cable into the VIDEO IN socket of monitor. Insert the other end of the cable into the VIDEO OUT jack of a wired camera. The Monitor will receive a high quality video. Video Output Insert the video cable Into the VIDEO OUT socket of monitor. Insert the other end of the cable into the VIDEO IN jack of a TV or another monitor. This may help you explore the tube Into narrow areas. 7 SPECIFICATIONS Model No.

All the specifications are subject to minor change without prior notice. 8 A CAUTIONS The apparatus shall not be exposed to dripping or splashing and that no objects filled with liquids, such as vases, shall be placed on the apparatus. The adapter is used as the disconnect device from the mains. The adapter shall remain readily operable. Do not cut the DC power cable of the apparatus to fit with another power source. Attention should be drawn to the environment aspects of battery disposal. Remove the batteries when cleaning the unit. Remove the batteries before storing the unit for a long time. When necessary, REPLACE ALL FOUR BATTERIES In this unit with new ones. Use only the size and type of battery specified. Be sure to install the battery with the correct polarity as indicated in the battery compartment. Property dispose of the battery. Exposure to high temperatures can cause the battery to explode, so do not dispose of in a fire. Place tape over the terminals to prevent direct contact with other objects. Some countries have regulations concerning battery disposal. Please follow all applicable regulations. The graphics Included are subject to minor change without notice. 9 FCC INFORMATION This device complies with part 15 of the FCC Rules. Operation is subject to the following two conditions 1 this device may not cause harmful interference, 2 this device must accept any interference received, including interference that may cause undesired operation. Changes or modifications not expressly approved by the party responsible for compliance could void the users authority to operate the equipment. EU Environmental Protection Waste electrical products should not be disposed of with household waste. Please recycle where facilities exist. Bilden kommer automatiskt att spara till SDKortet. Obs Video sparas automatiskt till fil varje 30 minuter. Ingen video spelas in om SDKortet inte sitter i kortplatsen. Ta bort alla filer i en mapp innan du tar bort mappen.

www.scmphotography.co.uk/wp-content/plugins/formcraft/file-upload/server/content/files/1627ed417b8235--brother-printers-instruction-manual.pdf

Men undvik hårda smällar eller att tappa den Det är nästan omöjligt att tänka sig att denna analoga retroklocka också innehåller avancerad Detta innebär att den visar bilder och e-böcker med text, registrerar och spelar upp ljud och att den spelar upp musik och videofiler. De har filerna Användarhandledning Den har bruksanvisningen är skriven till den senaste informationen som vi hade när denna bruksanvisningen gjordes. Skärmen Läs denna manual noggrant innan du använder enheten. Uppmärksamhet 1. Denna produkt är en hög precision, tappa inte eller hit. För att skydda Innehåll Fel! Snabbstart 3 Översikt 3 Användarlagen 5 Tillbehör 8 Batteri och laddning 9 Skriv stativ 15 Fel! Bokmarkert är Bruksanvisning Kameran System. Vaska för att transportera IDEASOLO Kameran System Vaska för att transportera IDEASOLO Handkontroll, ett alternativ för zoomning istället för tangentbord, eller då kameran används Den används för att lagra och läsa ut separata matvarden samt hela matsekvenser. Vardena registreras, sparas och överförs Den används för att lagra och läsa ut separata matvarden samt hela matsekvenser. Vardena mats, sparas och överförs till Svensk version. JB000160 Sweex 4.2 Megapixel Digitalkamera För att få ut det bästa av din Sweex 4.2 megapixel digitalkamera rekommenderas att du Beskrivning Vi reserverar oss för ev. Med denna internettelefon kan du snabbt och lätt kommunicera via röstsamtal Rear Seat Entertainmentsystemet utökar bilens ordinarie ljudanläggning Detta bör finnas i paketet Ett trådlöst modem, E5 Ett batteri Denna manual samt säkerhetsinformation En USB-kabel En nätadapter Du kan sedan enkelt para ihop den smarta telefonen eller datorn med Bluetooth-funktionen. Översikt av produkten Olympus DM5 Gör detta genom att öppna luckan på baksidan. En skarv i Finns både till iPhone på Apple Store och till Android på Google Play. Finns både till iPhone på Apple Store och till Android på Google Play.

ANSLUTNING Det finns två sätt att ansluta kameran på USB-mottagare för digital TV Plugga in i din PC eller Laptop och du har digital TV Komma igång Stoppa in den medföljande CD-ROM skivan MANY Den används för att lagra och läsa ut separata matvarden samt hela matsekvenser. Vardena registreras, sparas och CDL kan logga och överföra matdata online till PC. PC:n kan visa de loggade

vardena som varden TuffCam 2 innehåller ett obytbart, uppladdningsbart batteri. Forsök inte att ta loss batteriet. Om den rår November 2010. Bygger på delar ur dokumentet Mirasys NVR 5.10 Användarvågledning Mirasys, Ltd. Ett enkelt sätt att njuta av musik och bilder Kameran som är placerad på Roboten följer automatiskt Tryck på skärmen eller maskinvaruknappen för att använda enheten. Vanligen läs igenom hela manualen innan du använder produkten. Testa alltid kameran innan du använder den inför Data som lagras på enheten och Observera Elektromagnetiska fält vid vissa frekvenser kan påverka bilder Utsatt inte instrumentet Efter avslutad matning askadliggors insamlad data genom att koppla instrumentet via medföljande USBkabel eller Lathund och bruksanvisning finns i även andra format på vår hemsida Du hittar svar på alla dina frågor i instruktionsbok information, Om inte annat anges tillåts inte användning av varumärket för Kitvision eller produkterna Ladda det enligt följande Sätt i den lilla kontakten i den medföljande anslutningskabeln Snabbstartguide Innehåll och funktioner Funktioner KAMERA 1. Antenn 2. Paketets Innehåll Fastrem 1 Kamera 1 Antenn 1 USBkabel 1 Bruksanvisning 1 Overenstammelse krav Hereby, Oy Suomen Retkitukku Ab Viktigt Vardslös eller felaktig användning Denna guide beskriver hur man uppdaterar firmware för kommunikationsenheter UT1. Om du inte är säker på att du Snabbstartguide Framsida Avtryckare Du kan sedan enkelt para ihop den smarta telefonen eller datorn med Bluetoothfunktionen.

GRATTIS Gratulerar till ditt köp av denna digitala To use this website, you must agree to our Privacy Policy, including cookie policy. Our comprehensive range includes Allows you to take your CAD system and drawings out into the field, for setting out. The 4Site AutoCAD plugin removes much of the tedium when Surveying. 4Site Office allows downloading and processing of data from onboard logging whilst 4Site Survey is for infield use as a data logger. 4Site has the same feel as AiCs popular n4ce software using a Project approach with data being accessed off a Project Tree. Simple editing is permissible in the spreadsheet like grids. Where appropriate large icons are used for ease of use with tablet PCs being used for data capture. At the heart of 4Site is a Code Table. This converts your instrument readings into a CAD drawing. 4Site Office is ideal for those of you who wish to produce a survey drawing quickly from field data recorded and stored onboard instruments. Reduction, traverse and resection calculations convert your raw survey data into coordinates. Import filters are available for external coordinate inputs from GPS receivers. It is simply a matter of deciding what to do with the information you record. Allows you to take your CAD system and drawings out into the field, for setting out. The 4Site AutoCAD plugin removes much of the tedium when Surveying. 4Site Office allows downloading and processing of data from onboard logging whilst 4Site Survey is for infield use as a data logger. 4Site has the same feel as AiCs popular n4ce software using a Project approach with data being accessed off a Project Tree. Simple editing is permissible in the spreadsheet like grids. Where appropriate large icons are used for ease of use with tablet PCs being used for data capture. At the heart of 4Site is a Code Table. This converts your instrument readings into a CAD drawing.

4Site Office is ideal for those of you who wish to produce a survey drawing quickly from field data recorded and stored onboard instruments. Reduction, traverse and resection calculations convert your raw survey data into coordinates. Import filters are available for external coordinate inputs from GPS receivers. It is simply a matter of deciding what to do with the information you record. Readings are recorded directly into 4Site, creating a survey in front of your eyes. For 4Site Survey working drawings can be taken into the field for setting out or checking as built surveys. Most survey instruments are supported including Leica robotics, Topcon, Sokkia and early Trimble instruments. Designed to provide fall protection from falls from height. Anchored above the user, it gives the user a safe area of work. The retracting line pays in and out of the device as the user moves. In the event of a fall a brake engages, arresting the fall of the user with a controlled deceleration force. The AB15RT has an integral winch mechanism, so in the event of a fall, the top man will be able to raise or lower the user to a safe area. Swivel anchor eye on top. Can be mounted

onto the Tripod or Davit arm for access and egress from a confined space. TORQ 15m Fall Arrest Recovery Device is designed to provide fall protection from falls from height. In the event of a fall, a brake engages, arresting the fall of the user with a controlled deceleration force. A dorsal rear and chest attachment points both suitable for fall arrest and an extended attachment point, which maintains the user at a near vertical suspension when being lifted or lowered in a work or rescue situation with limited access. A full body harness with three attachment points. For tripod stability, the tripod legs may be individually adjusted. The T3 has 6 anchor points tested to EN795. The 3 overhead pulleys hold up to 11mm rope.

The extra anchor points may be used with pulleys for a double roped rescuer, backup system, airlines, communication lines, medical kits, tool kits etc. Available with a padded carrying bag. The tripod is the basis of a confined space entry and rescue system giving a strong, stable, and portable anchorage point for fall arrest and recovery systems. The ALTAIR 4X Detector surpasses industry standards in several crucial areas. Its four-year sensor life is 60% longer than the industry average, while its 24-hour run time exceeds the industry average by 71%. The ALTAIR 4X is an extremely durable Multigas Detector that simultaneously measures up to four gases from a wide range of XCellR sensor options including combustible gases, O₂, CO, H₂S, SO₂ and NO. The 9mm camera and 1m flexible gooseneck are water-resistant. Using a 2GB microSD card not supplied can capture still images JPEG or video AVI for download to a PC or laptop with a date and time stamp. The 9mm camera and 1m flexible gooseneck are water-resistant. Suitable for wood sawn timber, cardboard and paper; aggregate materials like plaster, concrete and mortar. Measures the electrical resistance and converts it to display % moisture content. Has a selectable display for wood or aggregate materials with readings displayed as a numeric % and a bargraph. Ideal for environmental monitoring, health and safety checks, and industrial applications. The image rotation function on receiver allows you to adjust viewing orientation. Record to SD card to replay your inspection at a later date. Shipped with a tool set including accessory hook, magnet and mini mirror to speed up problem identification. Please contact us for more information. The image rotation function on receiver allows you to adjust viewing orientation. Record to SD card to replay your inspection at a later date.

Shipped with a tool set including accessory hook, magnet and mini mirror to speed up problem identification. This service offers no tracking number. Please let me know if you require an extension on the time for payment. A response will be received within 24 hours usually a lot faster!. Take a moment and do a search below! Anatomy and Treatment Para continuar en esta pagina, acepta nuestro uso de cookies Aceptar. Changes or modifications not expressly approved by the party responsible PDF Version 1.6. Linearized No. XMP Toolkit Adobe XMP Core 4.0c316 44.253921, Sun Oct 01 2006 17:14:39. Producer Corel PDF Engine Version 9.397. Create Date 20090804 15:54:17Z. Creator Tool CorelDRAW Version 9.397. Document ID uuid7078adcd057a45178d098795b06cffc1. Instance ID uuid1ba004d8faf7415e95b869dfc9301f5b. Creator zhen. Title 8802AL.cdr. Page Count 20. Author zhen.

<https://www.interactivelearnings.com/forum/selenium-using-c/topic/16249/bose-soundlink-music-system-manual>