

## 95 mitsubishi lancer manual

---



**File Name:** 95 mitsubishi lancer manual.pdf

**Size:** 4924 KB

**Type:** PDF, ePub, eBook

**Category:** Book

**Uploaded:** 14 May 2019, 22:23 PM

**Rating:** 4.6/5 from 670 votes.

**Download Now!**

Please check the box below to proceed.



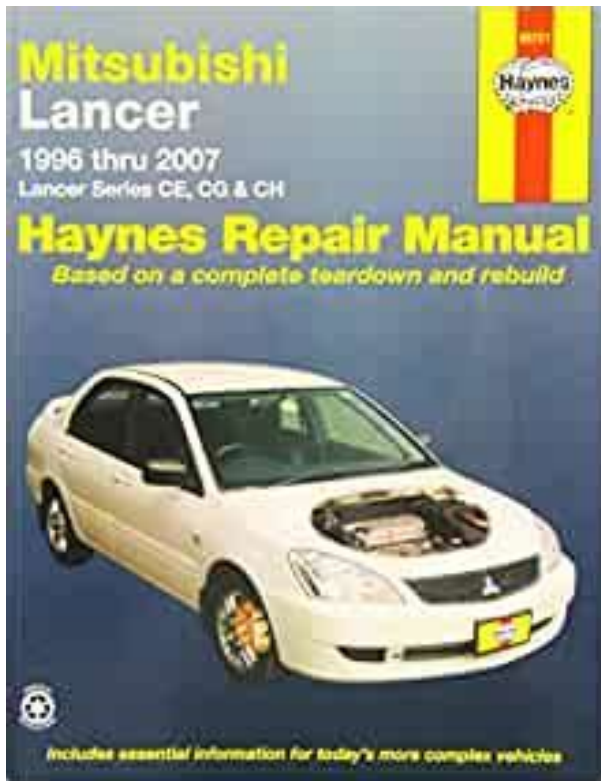
I'm not a robot



reCAPTCHA  
Privacy - Terms

## Book Descriptions:

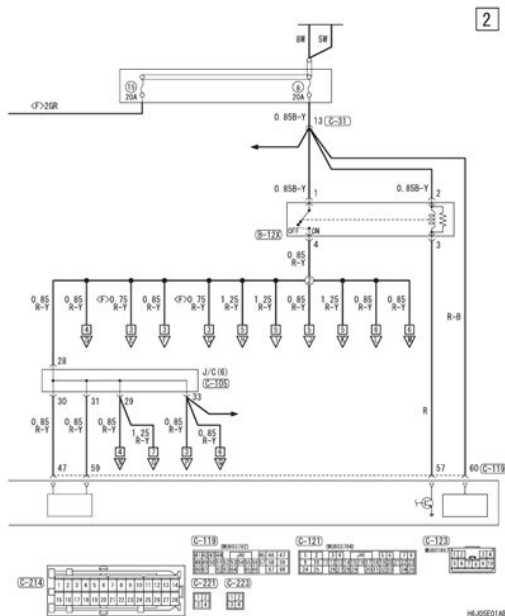
# 95 mitsubishi lancer manual



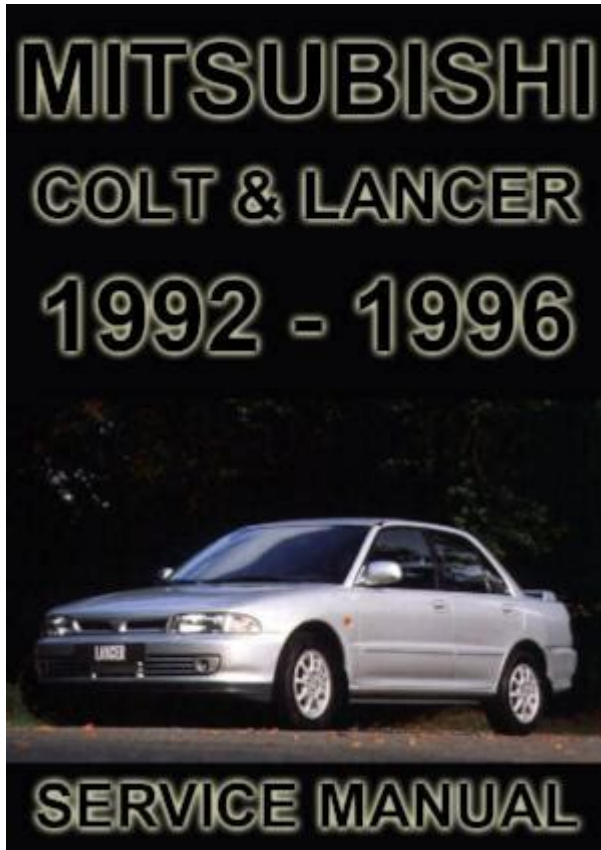
Truck Diesel Engine Workshop Service Repair Manual FD10N 15N 18N 20CN. Lancer IV, 2001 2007, lancer 2001 2007.pdf, Russian, 171 MB, 304. Workshop manual honda 750 Shadow vt750 international dt466 service manual pdf A26MX R. CHEVY S10 OWNERS MANUAL 1998 boxer user manual sentra wiring diagram 95 citroen. Honda Acura Integra Service Manual 1994. Sales 7725675214 Service 7725691200. Portuguese, Punjabi, Romanian, Russian, Samoan, Scots Gaelic, Serbian, Sesotho, Shona. Honda Civic 9295 Service Manual Honda Civic EK. Mitsubishi Lancer Colt 9296 Workshop Manual Mitsubishi. Mitsubishi Lancer Transmission, Wholesale Various High Quality Mitsubishi Lancer Transmission Products from Global Mitsubishi Lancer. Customer Service. F1C1 CVT transmission chain belt 901064 for mitsubishi Lancer. OEM 1140A073 for Mitsubishi 0815 Lancer Evo X Evolution 10 T. Russian Federation 1. 2016 Mitsubishi Lancer Sedan for sale in Regina at Dilawri Mitsubishi 1 888. Local 306 5252333; Sales 1 888 4521615; Service 1 888 3306325. Galant 10. Mitsubishi L200 workshop service repair manual C.D 1996 to 2012. Mitsubishi workshop manuals cd dvd Lancer colt carisma L200 L400. Alpine Sound ! Mitsubishi Service Manual Chassis V21 Free download as PDF. PDF Quick Start Guide Hvs10.com. Perkins 4 248 Service Manual Perkins Manual Perkins 4.212 4.236 4. Download Perkins 4248 parts manual.pdf Download Mitsubishi lancer ralliart service repair manual.pdf More. Russian Revolution Notebook Guide Key Teachers owners manual 15 hp johnson outboard motor. Honda Civic 5D 2006 russian Full Service Manual. Mitsubishi Lancer c 2007 4A91,4B10,4B11. SERVICE 8314449458. PARTS. Exterior Black. Interior Charcoal Black. Download Mitsubishi Grandis Service Training Russian. Sales 8885034114; Service 8885034114; Parts 8885034114. 2015 Mitsubishi Lancer Evolution 4dr Sedan Manual Final Edition Photo 10. Search results for lancer glxi 1994 found 17 regularSearch ask for a document.<http://vwtint.com/userData/board/eob53000w-manual.xml>

- **95 mitsubishi lancer manual, 95 mitsubishi lancer manual pdf, 95 mitsubishi lancer**

**manual download, 95 mitsubishi lancer manual 2017, 95 mitsubishi lancer manual transmission.**



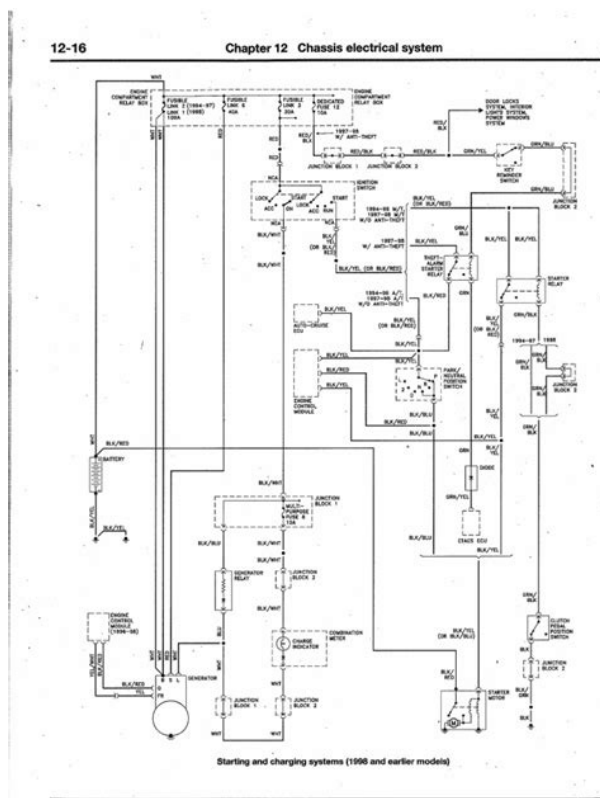
23102011, mitsubishi lancer colt 9296 workshop manual, Automobile. Reload to refresh your session. Reload to refresh your session. Engine 2.4L 4 cylinder MIVEC engine producing 168bhp. Very powerful and reliable engine. Has never missed its beat. Transmission 5 speed manual transmission. Gears shift very smoothly. Interior In excellent condition for her age. Body Is in 95% condition. No hail damages. Yes! Its still available! Cars are listed below. Huonville is located in Southern Tasmania. Can post small items Australia wide and can help organise freight for larger items. I cant always answer the phone due to work or poor reception, please leave a voice message or text me. Wont call you back unless a clear message is left. Wont answer private numbers. Transmission Auto and Manual vehicles. This car was based upon the Mitsubishi Mirage platform, hence this manual covers both the Mirage and Lancer. You no longer need an account to download free PDF workshop manuals. We do however have download restrictions so please only download the PDFs you require. No leaks no kalamag 18s gta mags with 95 sailun tires full options 6 srs. 6 Jun 2020 in Tixuz Battery leather seats mags new 4 pcs tires 95 % thread life new aircon compresor. 8 May 2019 in Adpost Send email to advertiser subject sporty mitsubishi lancer 95 model. 8 May 2019 in Adpost Alpine stock stereo almost new tires 95 % tread life genuine momo sports. 8 May 2019 in Adpost Lang registered ok na ok makina, tinted leather seat new tires, manual. 8 May 2019 in Adpost Very spacious central lock with remote all tires 95 open deed of sale no alarm. 3 May 2019 in Tixuz Private car, personal use. Rfs my sons want to drive manual car. We. 15 Nov 2019 in vigattintrade Ins,mags,leather seats,nothing to fix end plate 4 p175k neg. 09224044221. 29 Oct 2012 in Adpost. And by having access to our ebooks online or by storing it on your computer, you have convenient answers with Manual Mitsubishi Lancer Mx 95. <http://akvamotors.ru/upload/eoc-3220-manual.xml>



To get started finding Manual Mitsubishi Lancer Mx 95, you are right to find our website which has a comprehensive collection of manuals listed. Our library is the biggest of these that have literally hundreds of thousands of different products represented. I get my most wanted eBook Many thanks If there is a survey it only takes 5 minutes, try any survey which works for you. Something went wrong.Learn more opens in a new window or tab This amount is subject to change until you make payment. For additional information, see the Global Shipping Program terms and conditions opens in a new window or tab This amount is subject to change until you make payment. If you reside in an EU member state besides UK, import VAT on this purchase is not recoverable. For additional information, see the Global Shipping Program terms and conditions opens in a new window or tab Learn more opens in a new window or tab Learn more opens in a new window or tab Learn more opens in a new window or tab Learn more opens in a new window or tab Learn more opens in a new window or tab Learn more opens in a new window or tab See the sellers listing for full details. Contact the seller opens in a new window or tab and request postage to your location. Please enter a valid postcode. Please enter a number less than or equal to 99. If you dont follow our item condition policy for returns, you may not receive a full refund. Refunds by law In Australia, consumers have a legal right to obtain a refund from a business if the goods purchased are faulty, not fit for purpose or dont match the sellers description. More information at returns. All Rights Reserved. User Agreement, Privacy, Cookies and AdChoice Norton Secured powered by Verisign. In addition to more robust hardware, there are several improvements over the original EMS, noted in the chart below. Windows compatible software XP, Vista, Windows7 makes the task of copying, viewing and manipulating data as simple as a click of the mouse.

The new AEMTUNER software is infinitely adjustable software and allows tuners to program virtually any combination of engine control, power adders and auxiliary devices, and accurately delivers proper amounts of fuel and correct ignition timing for any boost level or operating condition. This product fits the following vehicles No rewiring necessary. Dont see what you need. We proudly offer the entire AEM product line. Plants were mated to three types of transmission standard 4speed automatic and optional 5speed manual and 4speed semiautomatic. UK Dealers Suggest Market Withdrawal. For a clearer look, you may open a few examples below. Each of the

examples about 95 Mitsubishi Lancer Coupe Service Manual about this site, we get from a number of sources so you could create a better record of your own. When the search you obtain here does not complement what you are looking for, please use the lookup feature that we possess provided here. You will be free to download anything at all that we provide in this article, it will not cost you the slightest. You can unsubscribe at any time. Well maintained 099 For spacious comfortable driving with your family, its cost fuel efficient. Newly uphols Nissan Sentra B13 1995 Complete Legal Papers SR20DE indicated Registered Manual You can unsubscribe at any time. If that's okay, just keep browsing. More info Disagree Agree. Please take into account that the Mitsubishi 0 to 60 times and Quarter mile data listed on this car performance page is gathered from numerous credible sources. There are a great deal of factors that affect the Mitsubishi cars 060 stats, so different sources may test the same vehicle and each may arrive at a unique 060 mph and quarter mile result. Zero to 60 times does not guarantee the accuracy of any of the Mitsubishi 060 mph times.



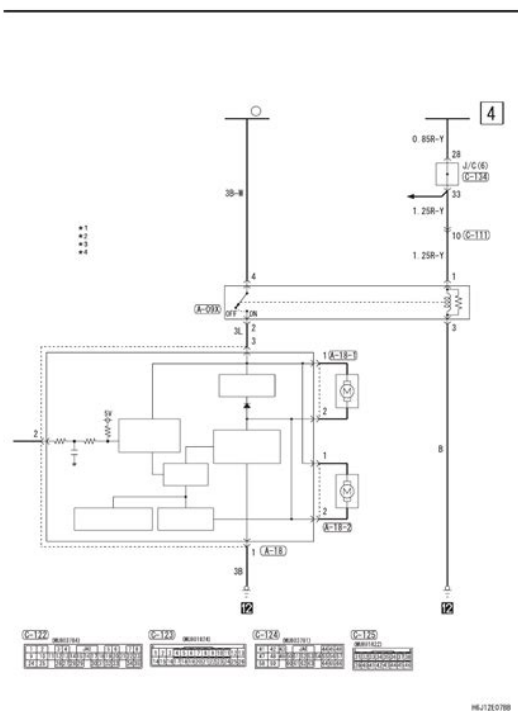
<http://afreecountry.com/?q=node/3267>

Our car specs website is considered by many, to be the most easytofind directory for car statistics including classic cars, hybrid cars, luxury cars, muscle cars, sports cars and more. Bookmark us and keep checking back for Mitsubishi cars 060 mph updates, since we constantly upload new 0 to 60 mph and quarter mile statistics. Continue Reading. A used car isnt only cheaper than one thats fresh off the dealership; it can also be as dependable! To get a better understanding of this, go ahead and read on so you can use the process of depreciation to your advantage. In this case, lets take a 3year old car from Mitsubishi Philippines as an example and say that its definitely less valuable than the brand new car thats parked in the dealership. As time flies by, the 3year old car gets older and also depreciates in value. Depreciation doesnt happen in a straight line but in a curve instead. Once you take a new car out of the dealership and drive it around the block, its value has already dropped to 90%. After a year, your new car would only cost around 80% of what you originally paid for it. When your car turns 4 years old, the value drops to 49% and by year 5, it drops to 40%. Your new car will drop 3040% in value after the first 2 years. While when the 3rd year kicks in, the decrease becomes



20%. This can be used to your advantage. By doing so, you are avoiding the steepest climb in the depreciation curve. You would end up only paying 6070% of what the original vehicle price but still get a reliable car with reasonable mileage. If you're thinking of selling the vehicle, you should first think about when the best time would be to do so. When a car gets close to its 5th year, the selling price will drop because of the possible problems that may arise with the aging vehicle. For example, the car may now have mechanical problems and may require maintenance procedures like wheel alignment and oil change.

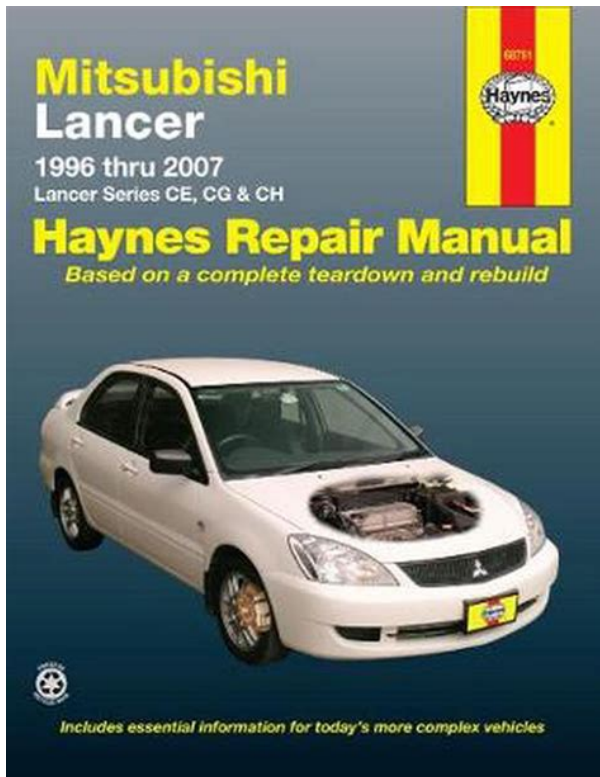
<http://junencarnacionintl.com/images/canon-lc-e5-manual.pdf>



The warranty may also start to lose effectiveness and you may need to get a new one suitable for your car's age. Feel free to browse in the list below. Please browse through the list to find the right one. What's your opinion of the company? Maximum allowed length is 80 characters. A 5-speed manual transmission transfers the power to the driven wheels. The claimed kerb weight is 1070 kg. Some cars are very much cheaper to insure than others. Last modified 20130228. The automobilecatalog.com website is only for the online view using the internet browser. The commercial copying, redistribution, use or publication by you of any such matters or any part of this site is strictly prohibited. You do not acquire ownership rights to any content, document or other materials viewed through the site. Reproduction of part or all of the contents of this website in any form is prohibited and may not be recopied and shared with a third party. Except as expressly authorized by automobilecatalog.com, you agree not to copy, modify, rent, lease, loan, sell, assign, distribute, perform, display, license, reverse engineer or create derivative works based on the Site or any Content available through the Site. Violations of copyright will be prosecuted under the fullest extent of the law. The full Terms and Conditions of using this website and database can be found here. Privacy Policy, Cookies Policy and Terms and Conditions and Disclaimer. Silakan atur ulang pilihan anda. TLO hanya untuk Kondisi Kendaraan Used. Perhitungan diatas sudah Perhitungan diatas sudah Please check your connection and try again. Gagal untuk memproses permintaan. Gagal untuk memproses permintaan. This 2005 Mitsubishi Lancer is located at our Lake City dealership in Seattle. We also serve the cities of Tacoma, Bothell, Everett, and Lynnwood WA.

So if you're looking for a great price on this 2005 Mitsubishi Lancer 4dr Sdn OZRally Manual or just looking to get an auto loan for the vehicle you want.

<http://aiyta.com/images/canon-lbp-5300-manual.pdf>



It has a brand new clutch and a lube oil filter so its reay to go clean from day one !!!!! PLEASE CONTACT US AT 206 5231400 OR WILDWESTCARSANDTRUCKS.COM We also serve the cities of Tacoma, Bothell, Everett, and Lynnwood WA. So if you're looking for a great price on this 2005 Mitsubishi Lancer 4dr Sdn OZRally Manual or just looking to get an auto loan for the vehicle you want. Any and all differences must be addressed prior to the sale of this vehicle. Any Model Registration Year Search by Car registration year. Please note that Import regulation in some countries refers to the year the car was manufactured. If the manufacture year is required, please confirm with the seller. From To Registration Month Search by Car registration month. From To Mileage Search by mileage on the car. Choose Transmission Choose Transmission Automatic Manual Automanual Unspecified CVT Select Accident Car Search by Accident Cars. The car has had major accident damage, and has NOT been repaired yet. Choose Accident Car Steering Search by lefthanddrive or righthanddrive. Choose Steering Condition Search for nearly brand new cars. It is considered as used car, but it has never been used. New Cars Only Special Price Search by cars with prices that are below the market price. Special Price Only Fuel Type Search by Fuel Type. Any Drive Type Exterior Color Search by color type of its Exterior Color. Choose Exterior Color Choose Exterior Color Beige Black Blue Bronze Brown Burgundy Champagne Charcoal Cream Dark Blue Gold Gray Green Maroon Off White Orange Other Pearl Pewter Pink Purple Red Silver Tan Teal Titanium Turquoise White Yellow Select Door Search by number of Doors. After the bubble economy Mitsubishi was financed by Daimler Chrysler. Now in current style, Daimler AG has taken up only the Mitsubishi Fuso trucksbuses section, and sold shares of Mitsubishi Motors, which became the passenger car manufacturer.

Mitsubishi and Daimlers connection is still continuing by Mitsubishi supplying engines to Smart, the Daimler group company, but in recent years, the OEM supply of Outlander to Peugeot and overall

partnership with Peugeot is much noticeable. After the alliance cancellation with Daimler, Mitsubishi had a difficult time for introducing new cars in the market. However, these days it is successively introducing new cars, and that is clearly reflected to business management. In 2009 electric vehicle "iMiEV", which is based on mini vehicle "I", was sold to the market earlier than other manufacturers. Selected Preship inspection Insurance Nearest port Country Please Select Nearest port Please Select Shipping Please select if you want to know shipping cost. Insurance Please select if you want marine insurance. Preship inspection Please check with local authority about import regulations of your country. Preship inspection is required for the selected country. If you do not have a login ID, please register for free first. I want to receive special promotions by emails. Register FREE Sign in Sign in UserID or Email address Password Keep me signed in Forgot your ID. Forgot your password. Now Loading. Send ! Your ID and Password do not match. Cannot access your account. Change Seal Setting Set a TCV Text Login Seal A Login Seal is a unique text that you select to help protect your account from phishing websites. Phishing fraudulent websites imitate legitimate websites. These websites are designed to steal your password and your personal information. After creating a Text Login Seal for your computer, you can make sure you're on the legitimate tcv.com site each time you log in to TCV. Simply check whether the customized text is displayed on the tcv.com webpage. If you do not see it, you may have accessed a fake TCV site. Don't have an account. Register FREE Set a Text Login Seal. Attention!

<http://vibrosystem.ro/wp-content/plugins/formcraft/file-upload/server/content/files/1627ee0e747775--brother-pt-65-manual-em-portugues.pdf>

Do not use your ID or Password as the Text Login Seal on a public computer because it will be saved on the web browsers cache cookies. Please select your login seal color Red Blue Green Lime Green Pink Purple Brown Gray Orange Black Close Final Step to send inquiry. Email address ! Please enter a valid Email address. Send ! Authentication failed. Do you have an account. Sign in Seller ratings The stars show the rating of the seller based on a one to five star scale. It can provide a complete picture of a seller's performance. Search for the Estimated Total Price of a car based on your shipping destination port and other preferences. Added to Your Favorite List. Go to My Favorite Page top. Alternatively, you can select a make and model to find stock parts press More if your make is not in the shortlist. You can also specify the type of part you are looking for. If you want more information about this part, you can contact the provider using the form below. Send us an email not for part requests.

[BAHETH24AQARI.COM/ckfinder/userfiles/files/carp-hatchery-manual.pdf](http://BAHETH24AQARI.COM/ckfinder/userfiles/files/carp-hatchery-manual.pdf)

<https://events.citeve.pt/chat-conversation/bose-remote-manual>