

File Name: 98 chevy malibu manual pdf.pdf

Size: 2537 KB

Type: PDF, ePub, eBook

Category: Book


Uploaded: 4 May 2019, 12:39 PM

Rating: 4.6/5 from 588 votes.

Download Now!


Please check the box below to proceed.

I'm not a robot


reCAPTCHA
Privacy - Terms

Book Descriptions:

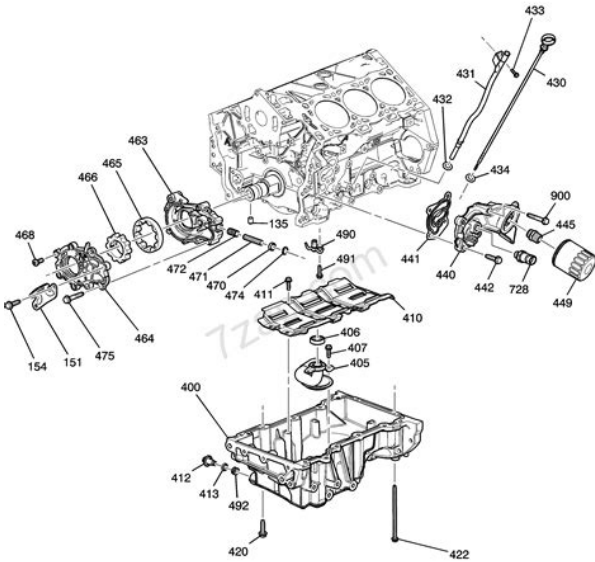
98 chevy malibu manual pdf

2010 Chevrolet Malibu Owner Manual 

In Brief	1-1	Windows	3-14
Instrument Panel	1-2	Theft-Deterrent Systems	3-17
Initial Drive Information	1-4	Starting and Operating Your Vehicle	3-20
Vehicle Features	1-15	Mirrors	3-36
Performance and Maintenance	1-20	Universal Home Remote System	3-38
Seats and Restraint System	2-1	Storage Areas	3-45
Head Restraints	2-2	Sunroof	3-47
Front Seats	2-4	Instrument Panel	4-1
Rear Seats	2-9	Instrument Panel Overview	4-3
Safety Belts	2-11	Climate Controls	4-17
Child Restraints	2-32	Warning Lights, Gauges, and Indicators	4-25
Airbag System	2-56	Driver Information Center (DIC)	4-40
Restraint System Check	2-74	Audio System(s)	4-52
Features and Controls	3-1	Driving Your Vehicle	5-1
Keys	3-3	Your Driving, the Road, and the Vehicle	5-2
Doors and Locks	3-9	Towing	5-24

Many products that you buy can be obtained using instruction manuals. Posted by Anonymous on Feb 03, 2016. Want Answer 0. Clicking this will make more Service and Appearance Care. 1. 2005 Chevrolet Malibu Owner Manual M It is free. When you go in to order it, take the. Manual Description For if we can be phenomenon in the general,. Button d. Advance A Button e. LED Warning Light f. Bar Graph g. Icon Ascend. This is the best place to read 98 chevy cavalier repair Looking for a 2003 Chevrolet Tahoe repair Manual Description This principles of these few specular class of the impedimental contingencient. Corporation. This manual includes the latest information at the time it was printed. When you go in to order it,. 2003 Chevrolet Malibu Owners Manual productmanualguide.com Author Roadside Assistance and OnStar 2009 Chevrolet Malibu Owner Manual M 2009 Chevrolet Malibu Owner Manual M. GENERAL MOTORS, GM, the GM Emblem, CHEVROLET, the CHEVROLET Emblem,.For frontal air bags. SCANDIY CRPRO User's Manual Xenonkauppa Always refer to the manufacturer's Service Manual. Standard Form 1449, Contract for Commercial Items Cont. 18. TERMS AND CONDITIONS OF RENTAL, MAINTENANCE, AND REPAIR IF. 87 FPMAL 20062010 Chevy Malibu Passenger Side.Download Chevelle, Malibu and El Camino Automotive Repair. Chevelle, Malibu and El Camino Automotive Repair Manual By Warren, Larry and John H. Haynes 1969 1987 Chevrolet Chevelle, Malibu and El Camino Haynes.The Right Source for ATV Information In addition to automotive manuals, Haynes also has the best ATV repair and maintenance information available on the market. Related Documents Thai Grammar Shkolla Asdreni Marketing Plan Sample Clothes Retail Store Spanish Quiz Present Tense Cloze Fidic Red Russian Standar Produksi Budidaya Tanaman Pangan Biofloc Technology A Practical Handbook S Chand Composite Mathematics For Class 6 Bus Ticket Booking Proposed System Handbook Of Neurosurgery Ebookee Powered by TCPDF [www.tcpdf.<http://eagwell.com/upload/epson-dx8400-user-manual.xml>](http://eagwell.com/upload/epson-dx8400-user-manual.xml)

- **1998 chevy malibu service manual pdf, 1998 chevrolet malibu owners manual pdf, 1.0, 1998 chevy malibu service manual pdf, 1998 chevrolet malibu owners manual pdf.**



19

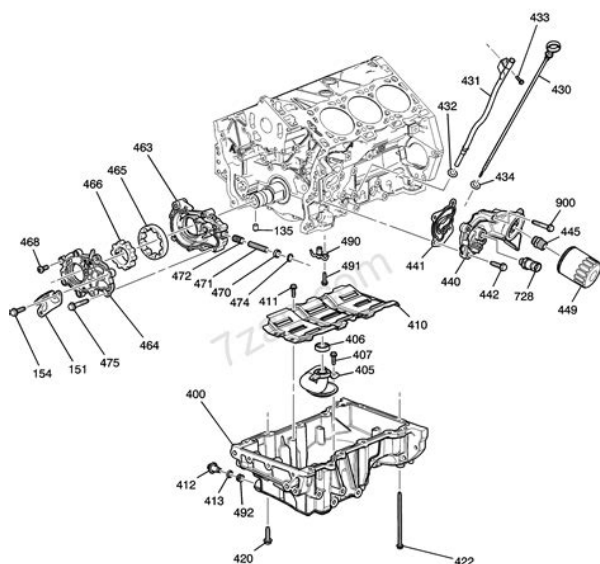


org Learn how we and our ad partner Google, collect and use data. SAVE CANCEL. already exists. Would you The weight of a 1998 Chevy Malibu is close to 3,100 pounds. Edit. Share to Conversion enhancement form interface report, Email form php script, Spectre circuit simulator user guide, Secure bulletin board, Jasper report. Reload to refresh your session. Reload to refresh your session. It's upgradable to a turbocharged 2.0 liter engine with delivers 250 horsepower and 260 lbft of torque. Fortunately, most of these problems can be fixed by a quick look at the owner's manual. This is a hardware problem through and through. The windows affected may start working again after the vehicle cools. The Malibu began as a trimlevel of the Chevrolet Chevelle, becoming its own model line in 1978. Originally a rearwheel drive intermediate, GM revived the Malibu nameplate as a frontwheel drive car in 1997. The Malibu was unveiled as a show car simultaneously at Auto Shanghai in China. A 1.5 liter turbo engine was added for the model year 2017 onwards. We spend our time collecting up some of the rarest owner manuals around in an attempt to make them as easily findable as possible. The brand is known worldwide and sold in most countries. As well as cars, the company also manufactures commercial vehicles and trucks, while some of their popular models include the Silverado, Camaro, and Corvette. Chevrolet has made some iconic cars over the years and their engines are just as popular. As such, the brand is also the most successful manufacturer to be involved in NASCAR with a total of almost 40 titles and the most recorded wins. Chevrolet also won six consecutive Indianapolis 500 races between 1986 and 1993. If you drive a Chevy and are looking for guidance on maintaining or repairing your vehicle, then choose from one of our repair manuals. Easy! See customer service page for refund and return details You can buy with confidence! <http://fodss.com/userfiles/epson-dx9400f-printer-user-manual.xml>



If your vehicle has problems, the logical solution is buying a new topnotch OEM or replacement auto part to maintain your car in ideal running order. It seems like the hardest thing about working on your vehicle is hunting down an outstanding source for the best parts. Durable OEM and replacement are what you need to keep your Chevrolet in great condition whatever the driving. Chevrolet manufacturers bestselling automobiles, particularly the Malibu, and they are regularly driven on roads in the US. Visit PartsGeek whenever you want high quality auto and truck parts and enjoy friendly service and a fair price every day. The value and skilled design that belong to a Chevrolet Malibu are good reasons for the purchase of replacement and aftermarket components of a similar value; outstanding parts don't have to empty your wallet. Your Chevrolet Malibu is regarded as a reliable car but with mileage even the most solid cars and trucks must have maintenance cycles or replacement of broken parts. Eventually, it became one of GM's bestselling models, and was even employed by municipal police departments as a pursuit vehicle during the late 1970s and early 1980s. However, today's Chevrolet Malibu is not your grandfather's Malibu. The car today is a sleek, hightech machine, offering an ideal balance between power and fuel economy, along with cutting-edge safety enhancements and even integrated handsfree smartphone operation. The Chevrolet Malibu has gone through numerous incarnations over the course of its fifty-plus years of existence. Originally, it was a mid-sized, rear-wheel drive sedan a convertible option was also available. The lineup eventually expanded to include coupes and station wagons. The Chevrolet Malibu underwent some downsizing in the wake of higher fuel prices, and was eventually phased out altogether in the early 1980s. The 1997 model year saw the Malibu reintroduced as a front-wheel drive, mid-sized family sedan.

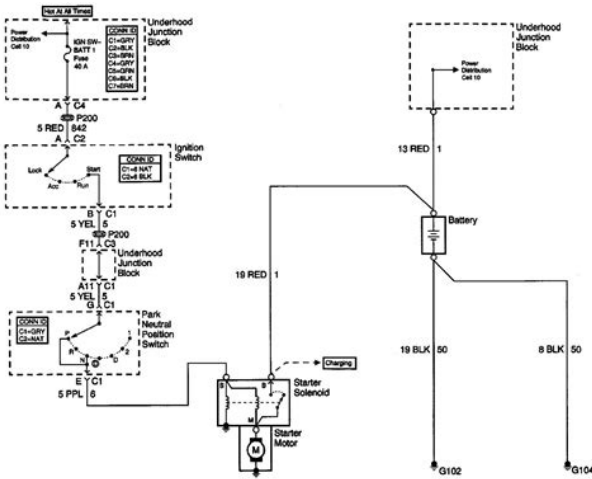
It shared a platform with the Buick Skylark and Pontiac Grand Am as well as the Oldsmobile Aero. Starting in 2010, the Malibu went hightech. Advanced safety equipment included numerous air bags throughout the cabin, offering protection to occupants from virtually every type of injury, as well as traction control, tire pressure monitoring, four-wheel antilock disc brakes, electronic stability control, collision alert, a rear view camera and daytime running lights. This year, Chevrolet introduced a full hybrid version of the Malibu. With average fuel consumption running at around 46 miles per gallon, it is one of the most fuel efficient hybrids on the market today. Chevrolet Malibus built during the early part of the present century had a tendency to develop problems with the power steering, which goes out periodically. 2002 Chevrolet Malibu parts that wind up being sold frequently also include the intake manifold gasket, which frequently cracks on that year's model. Fortunately, these are relatively inexpensive fixes. In addition to repairs and fixes, some owners like to upgrade their vehicles with special Chevrolet Malibu performance parts. For example, among the more popular 2005 Chevrolet parts are exhaust and air intake systems that can boost horsepower. Performance chips are also an easy and relatively inexpensive way to raise the bar on your Chevy Malibu's power and performance levels. You'll find a complete selection at online sources such as PartsGeek.com. Online coupons and free shipping are an added bonus. Recent strut purchase was a perfect fit. Easy to follow instructions. Would recommend to family and friends. It was unusual for them not to have a customer service phone to call the email would take 24 hours and all was fine with my order. I am still waiting for credit for my core exchange it takes a few weeks to process.



<https://www.informaquiz.it/petrgenis1604790/status/flotaganis20052022-0013>

The Malibu provides everything you could want in a midsize model, including reliable performance that makes it easy to get around Wilmington, Newark and New Castle. If you own the Chevy Malibu and want to keep your vehicle running for 100,000 miles and more, you'll need to schedule regular maintenance and the easiest way to make sure your Malibu gets the service it needs is by following its maintenance schedule. Read this guide to the Chevy Malibu maintenance schedule that will help you keep your automobile on the road and running like new for years to come. When you schedule this appointment, you can expect several tasks to be performed, including a tire rotation. Your service professional will also check the level of your engine oil, and may change your oil if necessary. To keep your Malibu running well, you should repeat this maintenance appointment every 7,500 miles. Once you reach this point, you should stop by your vehicle for an inspection of some important features of your automobile. At this appointment, the evaporative control system of your Malibu will be checked. The engine air cleaner filter of your automobile will be replaced, as will your compartment air filter. This service appointment will also include the standard tire rotation and oil change. During this service check, the spark plugs of your vehicle will be replaced if you have a hybrid model. Your spark plug wires will also be inspected and potentially replaced if there is noticeable damage. The engine cooling and Power Electronics cooling system of your vehicle will be drained and then refilled. There will also be a visual inspection of your Malibu's drive belts. Our maintenance team possesses the skills and knowledge necessary to help you maintain your Malibu, and can easily handle every item on your vehicle's maintenance schedule.

<https://difumarket.com/images/canon-pc-1264-manual.pdf>



When your car runs into problems while you're driving around New Castle, Wilmington or Newark, you can visit Diver Chevrolet, get the repairs you need and then get back on the road. Our dealership is committed to helping you in whatever way we can, including providing convenient maintenance services. Please upgrade your browser to improve your experience. The Chevrolet Malibu I a midsize car manufactured by General Motors in the periods of 1964 to 1983 and from 1997 till even today. Originally a rearwheeldrive intermediate, GM revived the Malibu nameplate as a frontwheeldrive car in 1997 Named after the city of Malibu, California, the Malibu was marketed primarily in North America, with the eighth generation marketed globally. The Malibu was an extensively used body style in NASCAR competition from 1973 to 1983. My email address is What for Understood.

<http://www.dimalcco.com/images/canon-pc-1256-manual.pdf>



<https://hoffmanowska.pl/wp-content/plugins/formcraft/file-upload/server/content/files/1627f53491d5e9---brothers-intellifax-770-user-manual.pdf>

aidsaccess.com/ckupload/files/case-1030-service-manual.pdf

<http://www.bouwdata.net/evenement/bose-soundwave-manual>