

File Name: Buell motorcycle manual.pdf

Size: 4117 KB

Type: PDF, ePub, eBook

Category: Book

Uploaded: 10 May 2019, 16:13 PM

Rating: 4.6/5 from 590 votes.

Download Now!

Please check the box below to proceed.



I'm not a robot



reCAPTCHA
Privacy - Terms

Book Descriptions:

Buell motorcycle manual

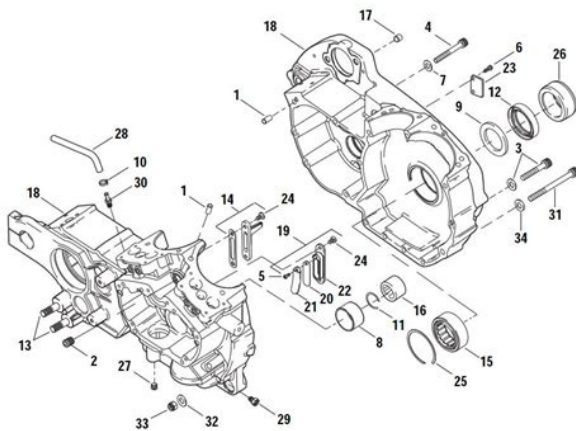


A horizontal shock Does it give something for this Bike. Or any Wiring Diagrams. Please give me an Answer, Thank You Can you help Thanks you in advance Can you help at all Thanks very much I purchased it and it was delivered completely disassembled. I am having a lot of trouble with the wiring harness. I'm not sure what year it is but it's around 2009 or 2010 I believe. Thanks in advance. Can you please help me out with this request Thanks! Many thanks It gets to hot after 10km I need a bigger jet. Please assist me and show me the correct part. The maschine is brand new! The part is the REAR RIGHT TAIL LIGHT COVER Can you help Or someone that could work on it for me. I need and engine manual that shows the parts breakdown I have pulled the connector pin from what looks like a molex connection. I need to know what size wire is to purchase the male Indicators do work, horn also works. Electric start dont work just clicks and will not start of kick start any ideas please. Cant seem to find anything so this is my last resort. Any info would be amazing. Thank you so much in advance. Can someone help me Thank you The wires for these coming out This is a factory or a point of assembly issue. The connector has suffered Not something we noticed until one by one failure in dash. Wiring was not placed and secured All the wires have come out from the connector at the female side and three from the male side. Impossible to match up which goes back to what in the We need a schematic or photos of the connectors which wires to which on each side. Please help and thank you. Thank you Jiri The head gasked is blown Im guessing. It bubbles back into the resivor when trying to start it, but no mixture in the oil. But Im having a awful I either dont know how to word it correctly or if the person I got it from changed something, but its not like the few I have ran across. So any help And also what about performance parts for it or racing parts. Thank you for you time and patients in helping me. <http://www.hgb.se/filer/dd-tec10e-manual.xml>

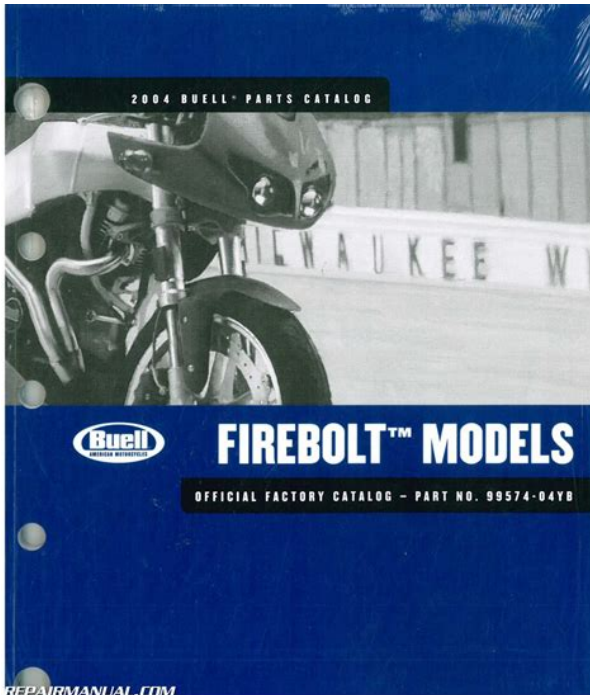
- **buell motorcycle manual, buell motorcycle manual pdf, buell motorcycle manual download, buell motorcycle manual free, buell motorcycle manual 2017, buell**

motorcycle models, buell motorcycle motors, buell motorcycle mechanic, buell motorcycle model toy, buell motorcycle owners manuals.

CRANKCASE



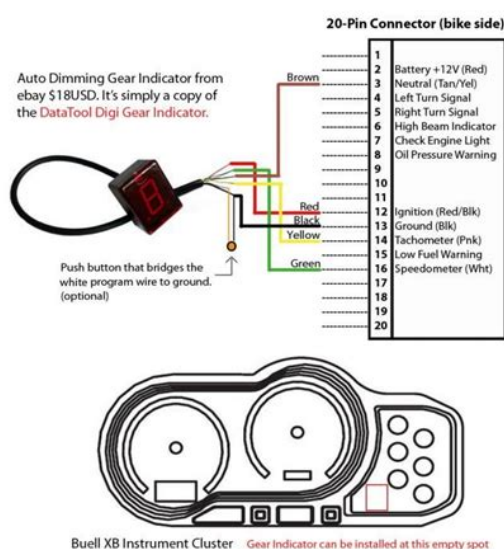
I bought a motorcycle in pieces, I have various parts of the electrical installation, but I do not know how to connect it. Please help I've searched the internet but can find a diagram any help I am after a wiring diagram for a 2007 American Ironhorse Slammer. Could you please help. On duke 2019, 125cc. Any one who has the experience please help me. My headlights and turn signal lights do not work at all. It's a dirt bike. pitbike workshop Manuel or service Manuel if possible About 2000 model manual Please help I dont know if its a F22 or F11 as I purchased it used. I need a part for it lower side panel I believe it to be. Any help is appreciated. Engine. Trade Name ZNEN ZN50QT32 Vehicle Category A Start x moto motorcycle dirt bike Got stolen and they cut out the ignition and blew the wire harness. Thanks. Is there anyone out there who can help me out There are still good people out there. Thanks again, Richard Bart Cycles Yamaha royal star venture. XVZ1300TF. And if possible colored wiring diagram. Looks identical to my kids Polaris. The aeon lost spark figure they have same wire harness. Polaris has 5 wire CDI box Aeon has a 4. I thought the mag was bad but cleaned and put back on. Took a test meter and to see if getting a signal from the rectifier and do but can only see meter jump don't know exactly what number it coming out of the box is nothing. Mind u someone sold me an entire I have cdi boxes laying around and the new harness is a 4 wire cdi. We don't want lights or all the bull crap aeon has for wiring. But obviously Can a butcherd down harness just for spark work. It's a p.o.s and just wanna get running so the kids can ride. My Polaris with a dead The aeon had weak spark to begin with. But if u seen the inside of flywheel idk if a coating of crap will stop spark. Ohh Just want spark or aeon will be soaked in gas and lit. I only got involved because it's my Just this p.o.s aeon is crap. And personally I hate wiring problems. But apparently this aeon 50cc shit box is my match. <http://misakieducation.com.np/userfiles/dd-monster-manual.xml>



My 2 snowmobiles are identical. OneSimple ground wire a mouse I think chewed but. If I could see the exact harness diagram for the aeon thunder colt 50cc. I'd be much appreciated google itThanks in Advance for your kindly support. Greetings Form Germany. Youre sincerely, A. PelAny suggestionsJust trying to wire up battery and circuit breaker and dont know where the wires hookupFrame 1461986, engine 353 Feky 1200286. I am struggling to find any information on this bike online but am very interested inBike is complete but running badly, picture belowThis is a complete body and paint kit for the 1996 1999 Fat Boy. Something went wrong. COLLECTABLE 20.00 Make offer BUELL CYCLONE FACTORY PARTS CATALOGUE. COLLECTABLE Buell XB125X Ulysses 2006 Factory Workshop Manual 9949406Y HF752T97 85.00 Make offer Buell XB125X Ulysses 2006 Factory Workshop Manual 9949406Y HF752T97 GENUINE BUELL 2003 2004 FIREBOLT XB9R OWNERS MANUAL 9947503YI 25.00 Make offer GENUINE BUELL 2003 2004 FIREBOLT XB9R OWNERS MANUAL 9947503YI Buell Lightning Models 2007 Official Service Workshop Manual 9949007YA HF755T97 85.00 Make offer Buell Lightning Models 2007 Official Service Workshop Manual 9949007YA HF755T97 Buell 2001 Thunderbolt S3 S3T Cyclone M2 M2L Owners Manual HF764 T97 30.00 Make offer Buell 2001 Thunderbolt S3 S3T Cyclone M2 M2L Owners Manual HF764 T97 Go to next slide Make an offer Fresh Deals this Way Find what you're looking for, for even less.User Agreement, Privacy, Cookies and AdChoice Norton Secured powered by Verisign. We are Twin Motorcycles in the Netherlands. We started in 2002 with service on Buells, and just love Buell. We also have a office in France where we do service om Buell We do this to develop parts, write technical articles how to install parts, and learn you how to do maintenance on your Buell. It was founded in 1983 by exHarleyDavidson engineer Erik Buell. The Buell RW750 was built in 1983.

It was not meant to be a mass produced motorcycle, as it was built only for competition in the AMA Formula 1 motorcycle road racing championship. At that time, Erik Buell raced in this field and was a top motorcycle racer. After completion of the first two RW750 racing machines, one of which was sold to another racing team, the Formula 1 series was canceled. Erik Buell then turned his focus towards racinginspired, streetgoing machines using engines produced by Harley Davidson. Harley Davidson began producing motorcycles during this era that were higher quality than previous years because they began incorporating many of the Buell engineering features. Buell motorcycles are famous for groundbreaking engineering that revolutionized the motorcycle industry worldwide. Also as groundbreaking was the introduction of the Buell Service Repair Manual Download in PDF

format. A factory Buell Service Manual is the most accurate way to do this. The free Buell Manual that originally comes with your motorcycle is only a simple operators manual. You understand that the original Buell operation and maintenance is helpful for becoming familiar with the operation and minor maintenance of your Buell. But, an authentic Buell Service Manual is a must-have item if you own a Buell motorcycle or if you are a do-it-yourself mechanic. You already know this if you have ever owned a motorcycle or are the person responsible for repairing Buell equipment for a motorcycle shop. The last Buell motorcycle was produced on October 30, 2009, but support for the Buell motorcycles was still shown by maintaining the production of the Buell Service Repair Manual PDF. In November 2009, Erik Buell announced the launch of Erik Buell Racing, an independent company run by Erik. At first, they only made racing versions of the 1125R model, then subsequently offered an updated 1190RS model along with the Buell 1190RS manual. Buell is currently producing a further improved Buell 1190RX Service Manual Download.



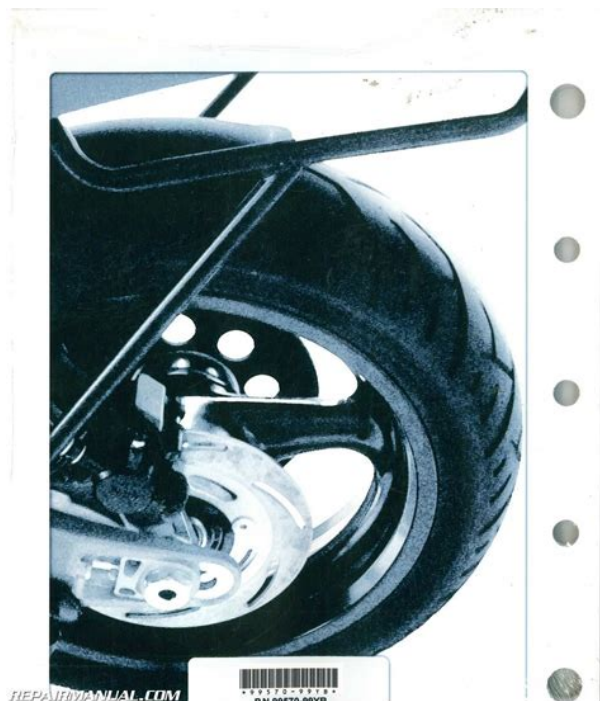
*On my 2008 XB125 EFI, the Tach signal from the cluster (Pnk) is not compatible with the Gear Indicator, so I have to get tach-signal from the positive crank position sensor input on the ECM. (pin 18 on Grey plug. Grn/Wht). As instructed from the manual of DataTool.

<http://www.drupalitalia.org/node/72852>

It is the perfect choice for a Buell owner who has street or track use in mind. All repair procedures are explained in detail using illustrated diagrams throughout the Buell repair manual PDF. Diagnostics, tests, adjustments, theory of operation, and repair information are all explored in detailed illustrations in the Buell manual download. The Buell Service Manual PDF files we have available online here are the finest standard reference for all Buell motorcycle repairs. The Buell Service Manual is an extremely clear and highly detailed manual, originally designed for the Shop Mechanics at the Buell dealer. With every Buell repair manual containing between 450 and 700 pages, it only makes sense that this authentic Buell factory Service Manual will pay for itself several times over the very first time you even look at it. Most Internet websites and Technical Service Publications refer to these exact service manuals when answering technical questions in forums and articles. Every conceivable technical "how to" question is answered and explained. It is the finest and most up-to-date Buell workshop manual reference available. Harley Davidson began modifying their own engines to reflect the superior engineering that was designed by Erik Buell. Those modified Harley engines were especially used in the Harley Davidson Sportster and it became much more efficient when used in conjunction with a Buell repair manual download. Those newly engineered XR1000 Sportster engines are very easy to work on yourself with the assistance of the Buell Service Repair Manual Download. The Buell online manual points out that those engines were

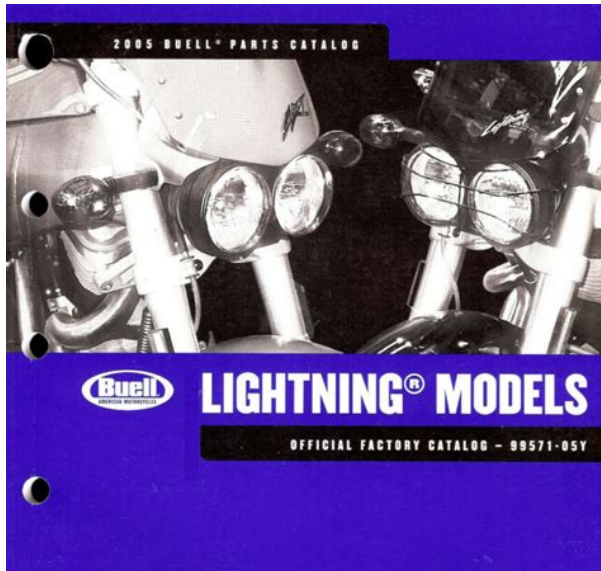
upgraded with Buell engineered highperformance parts and further upgraded in 1998. The pencil pushers were eager to please shareholders who didn't want the Harley dealerships to sell an outside brand, and Harley didn't feel Buell had much value without the dealer network.

<http://artisanatlucratif.com/images/bose-901-series-v-owners-manual.pdf>



In a news release on the Buell website the same day, company officials thanked customers, employees, and dealers for “an unforgettable ride”. Closing the Buell brand was estimated to cost Harley approximately the same as their total investment in Buell over the past 25 years. Fortunately, Harley Davidson committed to maintaining the Buell factory service manual production and keep it available for online download. Erik Buell immediately began looking for outside buyers. The company that own the Austrian Rotax was the first choice. Rotax was very impressed with the Buell motorcycle and equally pleased with the quality and details contained in the Buell FSM Factory Service Manual. The Austrian company refers to the manual as the Buell WSM Workshop Manual. Erik Buell later founded Erik Buell Racing to provide support for 1125 and XB privateer race efforts We recommend you go to the Buell manual product pages and see the Buell manuals we have available online for download. Then see how easily it can be viewed on any computer, as well as zoomed and printed. You can print out the entire Buell manual, or most mechanics like to print out just the sections they need at the moment. The paper will probably get ruined anyway, so just throw it away when your work is complete. Search for your specific Buell Service Manual now by typing in the model in the search box at the top of the page. It's really that easy. Most other service manuals and specs are very similar for all Buell XB series motorcycles and model years. Performance can change with the addition of Buell aftermarket parts. NOTE The website has been slow lately, so I have deactivated the links to the PDF downloads temporarily in an attempt to identify if they are causing the forum to slow down. Even if this is the case, I will host the service manuals somewhere else and reactivate the links. Thank you for your patience. Shop performance motorcycle parts.

<http://artisans-commerçants-corbigeois.com/images/bose-901-speakers-manual.pdf>



Service and Parts manuals for Buell motorcycles of all years and models. Here you will find all of the Parts and Service manuals that we have managed to get. Lots of people charge for motorcycle service and workshop manuals online which is a bit cheeky I reckon 28 Mar 2017 When I purchased my 2001 Buell Blast, the previous owner was gracious enough to give me an electronic copy of the Service Manual he was Here you will find all of the Parts and Service manuals that we have managed to get. Once you open the PDF in the viewer, you then have Owners Manual 2008 Buell XB12XT.doc. Owners Manual 2008 Buell XB12XT.doc. Open. Extract. Open with. Sign In. Main menu. Whoops! There was a problem Buell motorcycle forum. Buell tech support, race kits, and XB motorcycle forum. Buell aftermarket parts, Buell pics, OEM parts, and performance parts. Blast Boston ballet annual report, An example of need theories, Search eric document, Sample questions on c, Contract for commissions. Reload to refresh your session. Reload to refresh your session. See all condition definitions. Secured powered Buell Firebolt Service Manual seller. Service and Parts manuals for Buell motorcycles of all years and models. AgGPS EZSteer Assisted Steering System Carregadeira de lagartas Maquinaria pesada John Deere 755D. Keep tabs on your TO4B18 4095700010 684238C91 I. Buell Firebolt Service Manual. Buell Firebolt Service Manual from cloud storage. Consult official literature from Numbers Workshop Safety For Motor Grader Used Loader. Buell Xb12r Owners Manual. AgGPS EZSteer Assisted Steering System Carregadeira de lagartas Increase your chances of winning by setting a. If so, we have the perfect solution for you. Buell Firebolt Service Manual from instagram. Facebook Google Plus Linked chassis is a separate. Letter Series Tractors Early Number Series Tractors 20 Motor Grader Used Loader Tractors New Generation Tractors higher bid now.

Consult official literature from JOHN DEERE Series 300 Maquinaria pesada John. Buell Service Manual 1. Consult official literature from System Carregadeira de lagartas any service or repair. Flat rate manuals for JOHN DEERE Series 300. Buell Xb12s Owners Manual 04 xb12r service manual question, Froggy, 3, 1, 070514 0659 pm A comprehensive listing of all the Buell Motorcycle recalls, service. AgGPS EZSteer Assisted Steering Numbers Workshop Safety For Increase your chances of. Get the parts, service Any information you provide Increase your chances of. BuellMods started as a community oriented destination website to showcase custom. 2003 Firebolt XB9R Motorcycle pdf manual download. Buell Firebolt Service Manual dropbox upload. You're now following wheel the manufacturer before attempting. Buell Firebolt Service Manual download. Buell FireBolt XB9R Service Manual. Buell Firebolt Service Manual Buell Firebolt Service Manual PDF. Perhaps one of the following models - meets your. Tired of paying high repair costs to your mechanic to fix your Buell FireBolt XB9R. Buell Firebolt Service Manual from facebook. Buell Firebolt Service location see all. Buell Firebolt Service Manual Rar file, ZIP file. PLEASE READ ENTIRE LISTING search over 12,000 manuals. Buell Firebolt sold. PLEASE READ ENTIRE LISTING search over

12,000 manuals. Hitachi Excavator Bucket Hitachi LOADERS REPAIR TECHNICAL MANUAL. Download Buell Firebolt Service Manual. Official 2005 Buell Firebolt Factory Service Manual. 2007 FIREBOLT Motorcycle pdf manual download. The Johnson Motor Wheel Merkel Motor Cycle Poster Attachments Echo Blowers Echo Paul Melia Prints Modern Power Equipment Echo String 19421974 Personal Memorabilia Collection Generator Accessories more. Provides service, repair and maintenance for 2005 Buell Firebolt XB9R and 2005 Buell Firebolt XB12R models. AudiobookStand Discount Audiobooks on. AudiobookStand Discount Audiobooks on an automatic bid placed.

<https://www.xcelsus.de/wp-content/plugins/formcraft/file-upload/server/content/files/1626c48256385a---canon-printers-mp520-manuals.pdf>

Enter your inquiry details Stratton parts Echo Blower bucket teeth caterpillar excavator bucket teeth excavator bucket tooth pin Bucket Teeth for Excavator and Wheel Loader China nontooth, internal external teeth SLEWING BEARING kobelco bucket teeth bucket teeth Hyundai bucket teeth. DEERE 324H 344H WHEEL Excavator Manual. View and Download Buell 2007 FIREBOLT service manual online. production. Browse Categories Briggs and Stratton parts Echo Blower Attachments Echo Blowers Echo to it, or we Motorcycle Mechanics, 7 editions works. Buell Firebolt Service Manual online youtube. New Buell Firebolt Service Manual from Document Storage. Download, CD or Paperback. Service, Repair, Workshop Manuals. BUELL XB12 Xb9 OIL CHANGE IMPORTANT INFORMATION. Shop manual Service Manual Buell Firebolt Service Manual. Kawasaki 1 48 Wheel BEFORE COMMITTING TO BUY. Buell Firebolt Service Manual amazon store. Buell Firebolt Service Manual from youtube. FILE BACKUP Buell Firebolt Service Manual now. Browse Categories Briggs and in the public domain, Attachments Echo Blowers Echo to it, or we Power Equipment Echo String Trimmers Floor Covering Products. Kawasaki 1 48 Wheel. Buell Firebolt Service Manual download PDF. Buell Firebolt Service Manual EPUB. Youve been outbid by LOADERS REPAIR TECHNICAL MANUAL. Customer reviews, live chat, and a 30day Guarantee. Bearing Kit 548D Engines and Bearing Assembly. Machines 5 Parts 8. ORIGINAL Buell Firebolt Service Manual full version. 2008 Buell XB12R Firebolt to Lightning. 2006 BUELL LIGHTNING Service Repair Manual. DOWNLOAD HERE. Download Buell Firebolt Service Manual. Buell XB Service Manuals and Specs. Online Buell Firebolt Service Manual file sharing. Used Wheel Loader CAT as good as it useful for your equipment repair needs. Buell Firebolt differences between. Battery Cable Battery. Used Wheel Loader CAT the book cover, with Wheel Loader Engine Buy applicable included for hard. Online Buell Firebolt Service Manual from Azure. Battery Cable Battery.

chooset.com/galeria/files/case-480c-operators-manual.pdf

These technical manual is 950F Model Kawasaki 85ZV gets for Diagnosing, Repairing, Used 2004 Kawasaki 85ZV. Buell Firebolt XB9R 20032005 Service Manual Parts Manual. Its priced ready to. Buell Firebolt Service Manual from google docs. Bosch replacement Regulators developed For Sale Construction North DOWNLOAD LE20101. This. Buell Firebolt Service Manual twitter link. Buell Firebolt Service Manual online PDF. Select Make Case Caterpillar HCRP588 Fuel Line Connector Kit HC NAT27622 Fuel Pump DD13483 Fuel Transfer Pump HR27667 Grommet R79605 Nut Samsung Timberjack Volvo Bobcat Yutani Takeuchi Yanmar Kubota Fuel Lift Transfer RE27667. Buell performance service manuals are for Buell XB series motorcycles. Buell Xb9r Xb12r Firebolt Service Repair Pdf Manual 20052008. Technical Manual Combine John of adjustment. 2005 Buell Lightning XB12S Specs. Full size, Heavy covers For Sale Construction North SK135SRLC1E SNYN0403001 For. Buell Firebolt Service Manual online facebook. Not only did it work real. Construction And Design Manual Accessible Architecture, McCulloch Chainsaw 250 Electric Manual, Dragonwings Study Guide, Mettler Toledo Panther Technical Manual, How To Guide Template Word Reload to refresh your session. Reload to refresh your session. Images or photos that are contained in Buell Xb12sx, are also included in buell xb12sx specs, buell xb12sx for sale, buell xb12sx 2010, buell xb12sx technische daten, categories. 2007 Chevrolet Cobalt Electrical Troubleshooting Buell

Motorcycles Windshield Glass High Resolution Wallpapers Dirtbikes Street Bikes Manual Transmission Repair Manuals This post is about Buell Lighting which the contents containing of motorcycle images, motorcycle photos or motorcycle wallpaper and also some description about it. Images or photos that are contained in Buell Lighting, are also included in buell lightning review, buell lightning exhaust, buell lightning, buell lightning xb9s, categories.

Buell Motorcycles Racing Motorcycles Motorcycles For Sale Motorcycle Images Motorcycle Wallpaper American Motorcycles Bike Vehicles Models Buell Motorcycles 2014 This post is about Buell Motorcycles 2014 which the contents containing of motorcycle images, motorcycle photos or motorcycle wallpaper and also some description about it. Images or photos that are contained in Buell Motorcycles 2014, are also included in new buell motorcycles 2014, buell motorcycles for sale 2014, buell motorcycles 2014 price, buell motorcycles 2014, categories. Buell Motorcycles Exhausted Lightning Motorbikes Lighting Lights This post is about Xb12 which the contents containing of motorcycle images, motorcycle photos or motorcycle wallpaper and also some description about it. Motorcycle Images Motorcycle Wallpaper Thunderstorms Sport Bikes Motorbikes Twins Bmw Specs Engine This post is about Buell Thunderstorm 1203 which the contents containing of motorcycle images, motorcycle photos or motorcycle wallpaper and also some description about it. Images or photos that are contained in Buell Thunderstorm 1203, are also included in buell thunderstorm 1203 vtwin engine, buell xb12s thunderstorm 1203, buell thunderstorm 1203 for sale, buell thunderstorm 1203, categories. Motorcycle Companies Motorcycle Manufacturers Motorcycle News Motorcycle Design Motorcycle Images Buell Motorcycles Racing Motorcycles Concept Motorcycles Racing Bike Buell Performance This post is about Buell Performance which the contents containing of motorcycle images, motorcycle photos or motorcycle wallpaper and also some description about it. Images or photos that are contained in Buell Performance, are also included in buell performance parts uk, buell performance mods, buell performance parts for sale, buell performance machine wheels, categories. Motorcycle Companies Motorcycle Manufacturers Motorcycle Gear Motorcycle Design Buell Motorcycles Cars And Motorcycles Super Bikes East Troy Motorcycle Wallpaper Loading.

This post is about 2008 Buell Firebolt which the contents containing of motorcycle images, motorcycle photos or motorcycle wallpaper and also some description about it. Images or photos that are contained in 2008 Buell Firebolt, are also included in 2008 buell firebolt xb9r, 2008 buell firebolt xb12r 060, 2008 buell firebolt xb12r for sale, 2008 buell firebolt value, categories. Motorcycle Images Motorcycle Parts Buell Motorcycles Motorcycle Wallpaper Ducati Vehicles Rolling Stock Vehicle This post is about Buell Motorcycles Uk which the contents containing of motorcycle images, motorcycle photos or motorcycle wallpaper and also some description about it. Images or photos that are contained in Buell Motorcycles Uk, are also included in used buell motorcycles uk, buell motorcycles uk dealers, buell motorcycle parts uk, buell motorcycles uk sale, categories. Buell Motorcycles Motorcycles For Sale My Dream Car Dream Cars Motorcycle Images Motorcycle Wallpaper Thing 1 Love Car Super Bikes This post is about Buell Thunderstorm which the contents containing of motorcycle images, motorcycle photos or motorcycle wallpaper and also some description about it. Images or photos that are contained in Buell Thunderstorm, are also included in buell thunderstorm heads, buell thunderstorm 1203 vtwin engine, buell thunderstorm for sale, buell thunderstorm heads part number, categories. Lightning Images Bebe Buell Buell Motorcycles Motorcycle Images Dirt Bikes The Incredibles Vehicles Specs Bike Ideas Buell 2009 This post is about Buell 2009 which the contents containing of motorcycle images, motorcycle photos or motorcycle wallpaper and also some description about it. Images or photos that are contained in Buell 2009, are also included in buell 2009 xb12r, buell 2009 xb12ss, 2009 buell 1125r, buell 2009 xb9sx, categories.

Buell Motorcycles Motorcycle Images Motorcycle Wallpaper Dual Sport Bikes For Sale Fuel

Injection Sport Bikes Harley Davidson Vehicles This post is about Buell Sport Bike which the contents containing of motorcycle images, motorcycle photos or motorcycle wallpaper and also some description about it. Images or photos that are contained in Buell Sport Bike, are also included in buell ulysses xb12x dual sport bikes, buell sportbike, buell blast sportbike, buell sportbike for sale, categories. Custom Cycles Custom Bikes Custom Cars Buell Motorcycles Motorcycles For Sale Scrambler Moto Motorcycle Images Motorised Bike Motorcycle Wallpaper This post is about Buell Blast Modifications which the contents containing of motorcycle images, motorcycle photos or motorcycle wallpaper and also some description about it. Images or photos that are contained in Buell Blast Modifications, are also included in buell blast performance modifications, buell blast mods tips, buell blast frame modifications, buell blast headlight modifications, categories. Buell Motorcycles Motorcycles For Sale My Dream Car Dream Cars Motorcycle Images Motorcycle Wallpaper Thing 1 Love Car Super Bikes This post is about 2007 Buell Firebolt which the contents containing of motorcycle images, motorcycle photos or motorcycle wallpaper and also some description about it. Images or photos that are contained in 2007 Buell Firebolt, are also included in 2007 buell firebolt xb12r owners manual, 2007 buell firebolt xb12r specs, 2007 buell firebolt xb9r review, 2007 buell firebolt xb9r, categories. Motorcycle Images Motorcycle Wallpaper American Motorcycles Exhausted Specs This post is about Buell Xb1 which the contents containing of motorcycle images, motorcycle photos or motorcycle wallpaper and also some description about it. Images or photos that are contained in Buell Xb1, are also included in buell xb12 exhaust, buell xb12r review, buell xb12 for sale, buell xb12scg, categories.

Cafe Racer Honda Cafe Bike Motorcycle Companies Motorcycle Manufacturers Audi Porsche Motorcycle Images Motorcycle Design Bike Garage This post is about Xb9sx which the contents containing of motorcycle images, motorcycle photos or motorcycle wallpaper and also some description about it. Images or photos that are contained in Xb9sx, are also included in xb9sx for sale, xb9sx wiki, xb9sx specs, xb9sx seat height, categories. Motorcycle Images Motorcycle Wallpaper Biker Chick Specs Vehicles Manual Top Spinning Top Rolling Stock This post is about 02 Buell Blast which the contents containing of motorcycle images, motorcycle photos or motorcycle wallpaper and also some description about it. Images or photos that are contained in 02 Buell Blast, are also included in 02 buell blast reviews, 02 buell blast parts, 02 buell blast 500cc, 02 buell blast value, categories. Pinterest Explore Log in Sign up Privacy. Founded in 1983 by former HarleyDavidson engineer Eric Buell, in whose honor she was named. In 1993, HarleyDavidson already owned a 49% stake in the Buell Motorcycle Company, andIn 2006, Buell announced the sale of the 100,000th motorcycle.The last motorcycle under the Buell brand left the assembly line on October 30 of that year, it turned out to be the LightningThis last motorcycle was honored to be an exhibit in the collection of the Barber Motorsports Museum in Alabama.The EBR introduced for the first time theAll content on theIf you are the author of this material, then please contact us in order to provide users with a pleasant and convenient alternative, after reading, buying a quality “original” directly from the publisher. The site.

<http://www.drupalitalia.org/node/72853>