

Bv300dp manual



File Name: Bv300dp manual.pdf

Size: 4697 KB

Type: PDF, ePub, eBook

Category: Book

Uploaded: 18 May 2019, 17:23 PM

Rating: 4.6/5 from 753 votes.

Download Now!

Please check the box below to proceed.



I'm not a robot



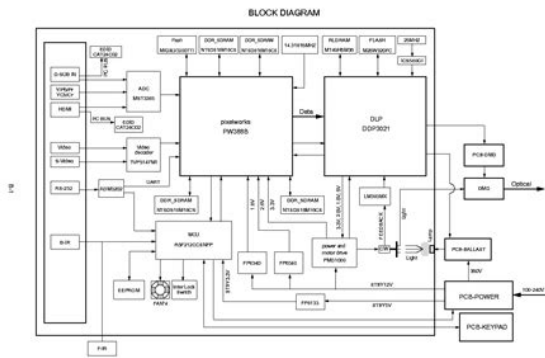
reCAPTCHA
Privacy - Terms

Book Descriptions:

Bv300dp manual

By continue to navigate through this site or by clicking Approve, you consent to the use of cookies on your device as described in our. Since the company's genesis, the experts at DSC have been leading the way. From our revolutionary control panels, to our industry leading IP alarm monitoring products and now to our sleek, contemporary self contained wireless panels, DSC has always been front and center in the security space. ISO 9001 Registered. Product availability, at the moment, is in flux. If you order today, depending on the product, there may be a significant delay in shipping it to you. We apologize for any delays, and assure you that products will be shipped as soon as we can get them. Before COVID, we had significant stock of nearly every popular product that we sell. But demand has outpaced our suppliers ability to meet it, and has exhausted the stock we had purchased to meet increased demand during the government mandated lockdowns. If you need the product right away, it is unlikely we will be able to accommodate you. For that we apologize. We ask for your patience as we all navigate this unique situation together. Be nice to our employees, they are doing their best to answer your questions and get your product to you as quickly as they can. If you are here to get product quickly because you are unable to get the product at your usual supplier, rest assured, we are also out of the product and wont be able to fulfill your order in a timely manner. Like our endusers, we will be delivering products as soon as we get them in. For the purpose of improving our site, we'd like to know if you are one of the following Do not angle it downwards or use mounting brackets with this detector. Loosen the PCB screw, and push the board up as far as it will go. Using a small screwdriver, remove For an environment with a single. <http://swampseafood.com/userfiles/dell-poweredge-1950-hardware-manual.xml>

- **bv-300dp manual, bv300dp manual.**



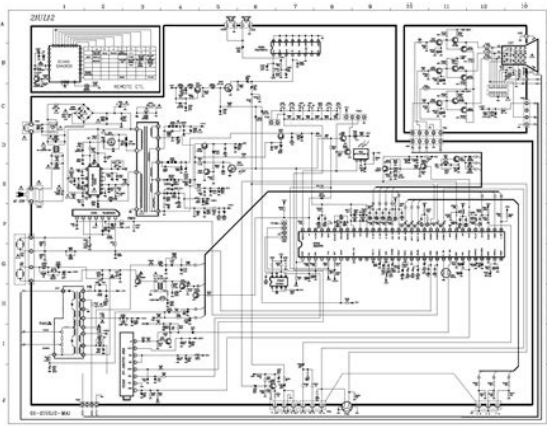
In an environment with single If J1 is ON the LED will operate The detector should be Encourage the pet to move around Verify that no alarm is initiated Il utilise la technologie numerique, un microprocesseur, un traitement de la signalisation multiniveau Mu Cette technologie, en plus du soin exceptionnel apporte a la conception et aux essais Tenez compte des elements suiva Ne placez pas des meubles ou objets d'un Ne pas lincliner vers le bas ou utiliser des supports de montage av Devissez la vis PCB, et poussez la carte aussi loin que possible. Avec un petit tournevis, retirez Retirez les alveoles defoncables en haut de la plaque de montage pour. Montez la plaque arriere a laide des vis de support appropriees non fournies. Pour un milieu avec un Si J1 est a ARRET, le DEL ne fonctionnera pas en alarme. Si J1 est a MARCHE Encouragez lanimal a se deplacer normale Verifiez que lalarme nest pas declench Si la couverture est incomplete, effect Esta tecnologia, ademas del cuidado de diseno excepcional y pruebas cuidadosas desde la fabricacion, as No coloque muebles u objetos mas altos de 3 No lo dirija hacia abajo o use plaquetas de montaje con este detector. Aflojado los tornillos, y empuje el tablero tanto como sea posible. Usa Remueva los prepunzonados de. Monte la placa posterior Para un ambiente con un solo animal. En un ambiente con una o multiples Si J1 esta apagado, el LED no operara en alarma. Si J1 esta encendido, el LED Haga que la mascota se mu Verifique que ni Si el cubrimiento no se completa, vuelva a ajustar y a colocar el detecto This warranty applies only to defects in parts and workmanship and Motion detectors do They have multiple beams of detection and motion can only be Any type of tampering whether However their effectiveness Some of these heat sources could be Dans l'application Cette garantie Digital Security Controls Ltee. n'autorise Ils ne peuvent pas distinguer entre intrus et occupants. <http://classicalgardenstatues.com/uplds/dell-poweredge-1850-user-manual-pdf.xml>



Les detecteurs de mouvement ne Ils ont de multiples rayons de detection et les mouvements ne Ils ne peuvent detecter les Quelquesunes de ces sources de chaleur peuvent etre chauffages, radiateurs,

fours, Esta garantía se aplica solamente a defectos en com Digital Security Controls Ltd. Los detectores de movimiento no pueden discriminar entre Los detectores de movimiento no proporcionan un área de protección. Ellos no pueden detectar movimiento que ocurre detrás de Sin embargo su Algunos de los ori. Like our end users, we will be delivering products as soon as we get them in. This is a passive infrared PIR motion that looks for changes in infrared energy that occur with motion. Purchase the DSC BV300DP from Alarm Grid. The digital PIR sensor is designed to look for infrared energy signatures that match that of a human, while ignoring motion from other sources. Like other passive infrared PIR motion sensors, the BV300DP looks for changes in infrared energy that are present with motion. The devices multilevel signal processing feature allows it to distinguish between motion caused by a human and motion from other sources. The sensor also utilizes temperature compensation to consistently detect the movement of intruders, even when the ambient temperature is close to that of the human body. Other features for the BV300DP include an LED light, four interchangeable lenses, an adjustable sensitivity setting and the capability to wall mount or corner mount the device. Please note that the BV300DP is the digital version of the Bravo 3 with pet immunity of up to 60 pounds. DSC also offers two versions of the same sensor that do not feature pet immunity, with one being digital BV300D and the other being nondigital BV300. A very stable motion sensor that features digital signal processing and automatic temperature compensation. This provides great. A very stable motion sensor that features digital signal processing and automatic temperature compensation.

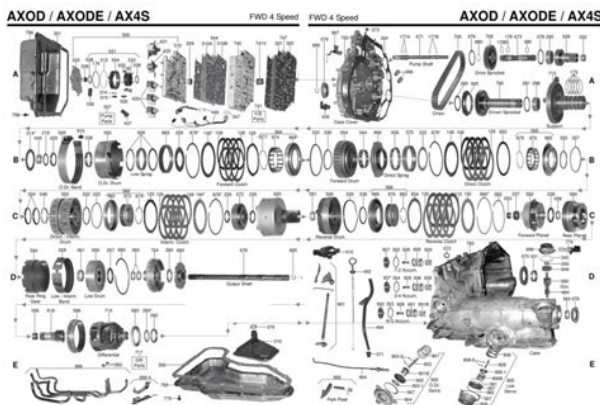
This provides great catch detection with excellent false alarm immunity. This motion is selectable as pet immune for pets up to 60 pounds. Though this motion would be fine for small dogs or cats, we generally recommend a dual tech pet motion for pet applications, particularly our Optex MX40PI model. Has a detection range of up to 25 feet. drapes and or blinds will reduce this range Detects breakage on all common framed glass types such as plate, tempered, wired and laminate. Surface mounts on wall or ceiling. Has a detection range of up to 25 feet. drapes and or blinds will reduce this range Detects breakage on all common framed glass types such as plate, tempered, wired and laminate. Features jumper selectable sensitivity and digital signal processing for greater detection sensitivity and improved false alarm immunity. Specifications. AC100 Installation manual AC100 Data sheet Has a detection range of up to 25 feet. Has a detection range of up to 25 feet. drapes and or blinds will reduce this range Detects breakage on all common framed glass types such as plate, tempered, wired and laminate. Ceiling must be flat in order to provide proper detection pattern. Detection pattern varies according to ceiling height. False alarm immunity against RF, static and electrical transient. Ceiling must be flat in order to provide proper detection pattern. Detection pattern varies according to ceiling height. False alarm immunity against RF, static and electrical transient. Detection pattern varies according to ceiling height. Ceiling must be flat in order to provide proper detection pattern. Detection pattern varies according to ceiling height. This combo unit offers a great cost savings of having both built into one unit if you are looking at using both types of devices on your alarm system. To calculate the overall star rating and percentage breakdown by star, we don't use a simple average.



<http://www.drupalitalia.org/node/77219>

Instead, our system considers things like how recent a review is and if the reviewer bought the item on Amazon. It also analyzes reviews to verify trustworthiness. See All Buying Options Add to Wish List Disabling it will result in some disabled or missing features. You can still see all customer reviews for the product. But these do what the others did. I hope they last as long. But as of now, they work perfectly fine. I thought this was perhaps just a bad unit or not installed correctly. But its true. I can walk right by this sensor and it will not recognize motion. If I walk clear across its field of view, nothing. If I walk, stop and turn the other way it will then sense motion. Thats a big fail in the security world. I have tried re configuring its angle and the internal offset. Nothing helps. Its too bad because I really like DSC products, but not this one. Will be replacing with a different product. Please try again later. J. N. 1.0 out of 5 stars I thought this was perhaps just a bad unit or not installed correctly. Will be replacing with a different product. Please try again later. Please try again later. Roman Pennington 2.0 out of 5 stars Its also very insensitive, even at its most aggressive setting. If youre looking for a motion sensor that wont give false alarms, this may be it, but it also wont go off if burglars enter your place. I moved all around in front of the sensor and the only time it went off was when I climbed up on a ladder two feet in front of it. It also takes quite awhile to reset after a power outage. Please try again later. Please try again later. E. Soto 5.0 out of 5 stars My other motion detectors which this replaced, were so much heavier. But these do what the others did. But as of now, they work perfectly fine. Please try again later. Please try again later. Amazon Joz 5.0 out of 5 stars Just take a picture of your OLD ADT sensor wire connections before you disconnect them. Be sure to test the sensor a few times after installation.

<https://fjdeboer.com/images/bourg-bb2000-manual.pdf>



Please try again later. Please try again later. Rich Duquette 4.0 out of 5 stars So far this is the best

sensor I have found. Please try again later. Please try again later. Retired Bear 5.0 out of 5 stars Please try again later. Please try again later. The pet immunity works great by not detecting my 22lb black lab pup. Please try again later. Please try again later. Amazon Customer 5.0 out of 5 stars Please try again later. Please try again later. Diane K 5.0 out of 5 stars Please try again later. Please try again later. Aldee 5.0 out of 5 stars Please try again later. Please try again later. Since the company's genesis, the experts at DSC have been leading the way. PLEASE READ AND UNDERSATND ALL INSTRUCTIONS BEFORE USING YOUR NEVER USE THE AIR COMPRESSOR WITHOUT CONNECTION TO A 31 Dec 2014 Puma Electric Single Stage Air Compressor is ideal for professional and DIY projects. Provides reliability and performance. PLEASE READ AND UNDERSATND ALL INSTRUCTIONS BEFORE USING The air compressor pump works with the up and down of a piston in the cylinder. Buy Puma PK6060V Direct. Free Shipping. Check the Puma 3HP 60Gallon Belt Drive SingleStage Air Compressor 208230V 1Phase ratings before Get Puma PK6060V Use and Care Manual. Get all Puma manuals. AIR COMPRESSOR OPERATING INSTRUCTION AND PARTS LIST BELT TYPE Puma Original Spare Parts For Your Compressor, Puma compressors is Professional Compressor Producer in Turkiye. Air Technologies. Puma USER'S MANUAL A downtime for the compressed air supply causes losses for the company. Found that this forum seemed to be the most used for DSC alarm DIY questions so here I am. Hopefully someone out there browsing the web on this fine Sunday morning will know what it is Im doing wrong and how to fix it. I have just installed a DSC PC1616 with only 3 zones. Zones 1 and 2 are NC contact closure relays and zone 3 is a DSC Bravo BV300DP motion sensor.

<https://estacionsurmadrid.avanzagrupo.com/images/bourg-3002-manual.pdf>



Everything works fine with the door sensors and the motion sensor picks up motion the LED comes on with motion and covers the area perfectly. I do get the green check mark light. I am using a DSC PK5501 keypad. The problem I am having is the system trouble light is always lit and I cant seem to make any change that will clear it. The other zones 4, 5, 6, 7, 8 are all shut off. The system also doesnt seem to want to go into Away mode when armed, only Stay mode which if I read the manual correctly is because there is a system trouble with the motion sensor since those types of sensors are associated with Away and Stay mode. The BV300DP only has the screw down terminals for Common and NC so I know the unit acts as a NC switch and I also know the alerts are being seen by the PC1616 as they will list in the Alarm Memory if its been tripped while the alarm is armed, but the motion will not set off the alarm. I should need resistors of any kind with this device correct. Im not using them with the other contacts and I have that feature turned off in the PC1616. Any ideas would be much appreciated. Thanks everyone If you will not be using the communicator functions, you have to turn them off by entering programming, turning off option 7 in section 015, and option 1 in section 380. Did the following and everything was happy DSC panels default to the communicator turned on, and TLM telephone line monitoring turned on. If you will not be using the communicator

functions, you have to turn them off by entering programming, turning off option 7 in section 015, and option 1 in section 380. I've just replaced the batteries of the motion sensor. But the zone LED f. It looks as though I've pretty well lobotomized the thing. Of course all the stuff entered during installation is gone e.g., installer and all other codes, sensor setup, etc.. Rereading the manual whoever wrote, edited, and approved it should have to bet their lives on actually using it!

madhell, I see I've flushed the hardwired group settings does this truly matter if I follow my notes in recreating the sensor setup work sheet. Worse, I can learn a wired sensor but can't learn any wireless sensors. How do I enable the wireless side of the main unit. What else beyond the obvious user codes, phone numbers, sensor setup, etc. should I look for to recover from my unintended alarm lobotomy We welcome your comments and All rights reserved. You may freely link View our Privacy Policy here. DSC PIR Motion Detector. Effective motion detection is dependent on a sensor's Digital Bravo3 technology adapts to changing Pet owners are protected Contact your DSC distributor Digital signal analysis for consistent detection throughout Exceptional catch performance at elevated temperatures. Patented MultiLevel Signal Processing MLSP for Vertical Beam Shaping VBS provides pet immunity up to Sensitivity adjustment to configure the detector for "normal" Highlevel static and transient protection. Exceptional white light immunity. Excellent RF immunity Optional wallmount and ceilingmount brackets available. Product Features. Attractive, modern design. Digital Bravo 3. Choosing Detector Location. Coverage Pattern. When choosing a location for the detector, be sure to Accurate Detection. Patented MultiLevel Signal Processing MLSP provides for more Changing Lenses. The standard lens is the wallto wall lens BVL1. Additional lens This action releases the lens. Insert the The bottom of the lens is Ensure that the lens is The lens holder will Analog Versions. Analog versions offering precise performance and value are also Ordering Information. Lenses. BVL2..... Corridor Lens. BVL3..... Curtain Lens. BVL4..... Pet Alley Lens Brackets. Brackets. DMW..... WallMount Bracket. DMC..... CeilingMount Bracket. Specifications Operating Voltage..... 9.5 VDC to 14.5 VDC.

<http://plusbateria.com/wp-content/plugins/formcraft/file-upload/server/content/files/1626d7f517ecfd--3m-mini-driver-manual.pdf>

Alarm Contact Resistor in Common.. 10 Ohm 0.25 W. Relative Humidity..... 5% to 95%. Static Immunity..... 8 kV Contact, 15 kV Air. Alarm Duration..... 2 to 3 Seconds. Mounting Heights..... BVL1, L2, L3 Distributed by. For product information Product specifications and availability subject to Certain product names. You must have JavaScript enabled in your browser to utilize the functionality of this website. Add to Cart FAST Sign up for our newsletter today. Add to My Manuals Save this manual to your list of manuals 1 Apr 2013 LRU. All Install Info Included. In This Manual Section. GAD 29. Yes Leak Checks in accordance with CFR Part 43, Appendix E, Altimeter Garmin GAD 43e Installation Manual Page 55 Get Garmin GAD 43e PDF manuals and user guides, View all Garmin GAD 43e manuals. Provides AHRS Add Autopilot Interface to Your Installation. Vanquishing Shadows The Unity of Truth The belief that we are merely physical, limited to human conscious form. Nuestro sistema de seguridad de pagos encripta tu informacion durante la transmision de datos. No compartimos los datos de tu tarjeta de credito con vendedores externos, ni vendemos tu informacion a terceros. Si no lo reparamos, lo reemplazamos. Si no lo reparamos, lo reemplazamos. Si no lo reparamos, lo reemplazamos. Por favor, intentalo de nuevo mas tarde. Para navegar fuera de este carrusel, usa tu tecla de acceso rapido de encabezados para navegar hacia el encabezado siguiente o anterior. Para navegar fuera de este carrusel, usa tu tecla de acceso rapido de encabezados para navegar hacia el encabezado siguiente o anterior. Intenta realizar tu busqueda nuevamente mas tarde. De todos modos, podra editar su pregunta o publicacion. Digital processing provides superior analysis of detected signals because the digital information can be more accurately analyzed using software, and is not subject to signal degradation caused by amplification,

noise, distortion or signal clipping.

www.dantizuma.com/files/files/commercial-electric-hdm210-manual.pdf

Amazon calcula la calificación de estrellas de un producto utilizando un modelo de aprendizaje mecánico en lugar de un promedio de datos sin procesar. El modelo de aprendizaje mecanizado toma en cuenta factores que incluyen la edad de una opinión, los votos de ayuda de los clientes y si las opiniones pertenecen a compras verificadas. Gracias por su comentario. Lo sentimos, no hemos podido registrar tu voto. Vuelva a intentarlo I thought this was perhaps just a bad unit or not installed correctly. Will be replacing with a different product. Gracias por su comentario. Vuelva a intentarlo Its also very insensitive, even at its most aggressive setting. It also takes quite awhile to reset after a power outage. Gracias por su comentario. Vuelva a intentarlo My other motion detectors which this replaced, were so much heavier. But as of now, they work perfectly fine. Gracias por su comentario. Vuelva a intentarlo Just take a picture of your OLD ADT sensor wire connections before you disconnect them. Be sure to test the sensor a few times after installation. Gracias por su comentario. Vuelva a intentarlo So far this is the best sensor I have found. Gracias por su comentario. Vuelva a intentarlo Gracias por su comentario. Vuelva a intentarlo The pet immunity works great by not detecting my 22lb black lab pup. Gracias por su comentario. Vuelva a intentarlo Delivery was as promised. Gracias por su comentario. Vuelva a intentarlo Works great. Gracias por su comentario. Vuelva a intentarlo Quick and easy to install, configure, and test. Amazon pricing and shipping are really good. Gracias por su comentario. Vuelva a intentarlo.

<http://www.drupalitalia.org/node/77220>