

**File Name:** C35i manual.pdf

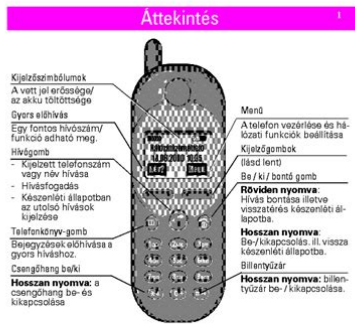
**Size:** 2109 KB

**Type:** PDF, ePub, eBook

**Category:** Book

**Uploaded:** 14 May 2019, 12:29 PM


**Rating:** 4.6/5 from 619 votes.



## Download Now!

Please check the box below to proceed.

I'm not a robot

  
reCAPTCHA  
Privacy - Terms

## Book Descriptions:

### C35i manual



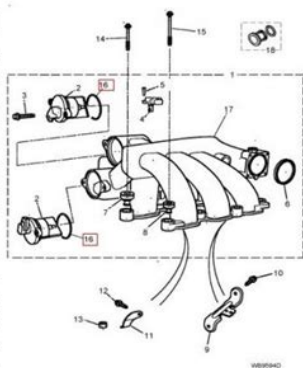
Information about disturbance is sent in a form of phone call with warning signal or in a form of SMS message to your cell phone or by fax, even by email if required. There is also a connector for data cable for connection to a PC that enables comfortable set up of required configuration data. Before assembly prove by cell phone if there is sufficient level of signal required by GSM network in selected place. Pay attention to delay in indicating of signal level. Do not attempt to connect other phones, it may cause device or phone damage. It is possible to set up volume of cell phone ringing according to your need in main menu. Ringing of the phone can be eventually switched off completely. It is possible to change or switch off the sound indicating reception of SMS message either. At the same time advises of necessity of switching off the phone by red key. This way new PIN is entered into GSM Remote Supervision memory and connected cell phone is automatically switched on. PIN 0000 shall not be set into cell phone from gate so that blockage of phone is not caused during first contacts with gate. Example Original PIN of GSM gate is 0000. SIM card, which you use in cell phone in GSM gate has PIN 1234 and is blocked by PIN. Phone rings only 5s and does not await pickup. This way record about calling from GB 051 is entered on display of cell phone without any charges unless called party picks it up. It is not recommended to set your cell phone number because GB 051 does not use real time and call can come during night. Each prepared text of SMS message of particular input can be sent to two cell phone numbers. No number is activated from production. These numbers can be set. Activated by input No. Four digits of current PIN Maximum 14 digits of cell phone number Output Four digits of current PIN Figure 0 or 1 determines logical level of output By sending value 0 output is set to 0V.<http://cichanski.com/Upload/delta-18-scroll-saw-manual.xml>

- **c35i manual.**

X-Type/ENGINE/INLET AND EXHAUST MANIFOLDS ▾

INLET MANIFOLD UPPER-2.5/3.0 LITRE-V6

No	Description
1	+ Inlet manifold
2	+ Control valve
3	+ Hexagonal head flanged bolt
4	+ Map sensor
5	+ Screw
6	+ Throttle body gasket
7	+ Mounting isolator
8	+ Mounting isolator
9	+ Support bracket
10	+ Flange head screw
11	+ Support bracket
12	+ Flange head screw
13	+ Hexagonal flange nut
14	+ Flange head bolt
16	+ Flange head bolt
15	+ Flange head bolt
16	+ Seal
	<input type="checkbox"/> C2540669 - vacuum
17	+ Inlet manifold
18	+ Brake booster vacuum hose connector kit



However, it is not able to switch on the cell phone without external power supply and therefore command RESET is ignored. Guarantee applies only to goods registered or identified by company LEVEL. Guarantee repair will be carried out at latest within 10 working days after receipt of defective goods by company LEVEL provided that spare part is disposable in store. GSM Remote Supervision GB 051 allows firstclass and highly effective protection of cars or properties. It provides protection which cannot be easily disabled by cutting the phone line, protection which sends an ALARM message within 3 seconds and which allows also continuous control of protected area. Communication cable with connector gets out of this box into cell phone, which is used by GB 051 for realization of phone connection and reception and sending of SMS messages. During assembly avoid hot places and places where device would be exposed to direct sunlight. The value of days in service will be set to 0. INIT Detailed description of how to carry on the initialization can be found in Chapter 4.1. The GSM Remote Control device will be set into default manufacturer's settings by the initialization. Recommended linkage of outputs Recommended linkage of inputs If GSM signal is insufficient After reception of this SMS message verify correct PIN code change by switching the phone off with the red phone button. PIN 0000 shall not be set into cell phone from gate so that blockage of phone is not caused during first contacts with gate. SIM card, which you use in cell phone in GSM gate has PIN 1234 and is blocked by PIN. Insert the SIM card into the mobile phone, but do not connect the GB 051 connector yet. Insert the required PIN in the mobile phone e.g. 1234. Go into the menu of the mobile phone. Command receives message about correct reception of Command. In case you do not know preset PIN or you are not able to program for another reason then carry out hardware reset. If you want to increase sensitivity of cell phone builtin microphone might be relatively

low. <http://facades-et-traditions.com/actualites/delta-18-x-36-drum-sander-manual.xml>



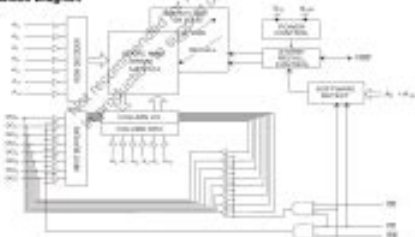
**Features**

- 20 ns, 33 ns, and 45 ns access times
- 70% compatible with industry standard SRAMs
- Software initiated/controlled STORP
- Unlimited Read AND/OR Write AND/OR STORP
- Automatic RECALL to SRAM on power-up
- Unlimited RECALL cycles
- 1,000,000 STORP cycles
- 100 year data retention
- Single 5V 10% operation
- Commercial and Industrial temperature
- 34-pin (208 mil) SOIC package
- 28-pin (208 mil) CSP and 28-pin (200 mil) QFN packages
- RoHS compliance

**Functional Description**

The Cypress 8TK11C08 is a 64Kb fast access SRAM with a non-volatile element in each memory cell. The embedded non-volatile elements incorporate QuantumTape technology producing the world's most reliable non-volatile memory. The SRAM provides unlimited read and write cycles, while independent non-volatile data resides in the highly sensitive QuantumTape cell. Data transfers under software control from SRAM to the non-volatile elements (the STORP operation). On power-up, data is automatically restored to the SRAM (the RECALL operation) from the non-volatile memory. RECALL operations are also available under software control.

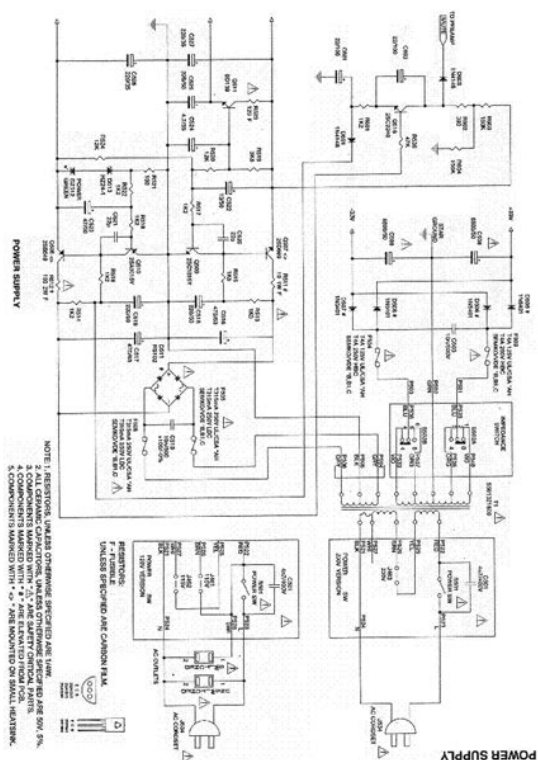
**Logic Block Diagram**



Therefore it is necessary to select a suitable placement of the unit in order to use this feature. 5. Programming from PC Comfortable way of setting of all GB 051 parameters from PC by the means of configuration program and serial cable with converter can be used. Were committed to dealing with such abuse according to the laws in your country of residence. When you submit a report, well investigate it and take the appropriate action. Well get back to you only if we require additional details or have more information to share. Note that email addresses and full names are not considered private information. Please mention this; Therefore, avoid filling in personal details. The manual is 1 mb in size. If you have not received an email, then probably have entered the wrong email address or your mailbox is too full. In addition, it may be that your ISP may have a maximum size for emails to receive. Check your email Please enter your email address. By using the site you are agreeing to our Privacy Policy. Learn more about what we're about. With "SmartSwitch," FDR DEVO no longer requires connection between the Xray generator and DR power supply unit to automatically detect Xrays and start image creation. With the enhanced visibility achieved by this technology, information in greater detail can be obtained from images. Fujifilm has created a new full spectrum optimization with dynamicrange control processing. This processing fully utilizes all of the exposure data captured and optimizes its image recognition output. Enhancing visualization of the entire image within the exposure field, even significantly clarifying overexposed and underexposed areas. The effect can be adapted to CR images as well. Allowing clearer detail images regardless of a type of detector. This innovative image display optimization has been built to enhance diagnostic viewing with just about any display on the market. Providing easytointerpret and rich gradation.

Through an indepth analysis of conventional image processing parameters, we developed a brand new set of automated menu parameters specifically designed to improve sharpness, contrast, and latitude for every anatomic menu. These new parameters enable the best possible first up display for every exam. This technology permits a higher resolution image and reduced doses. Quick reexposure is also possible, with no need to have patients wait. High throughput is realized, reducing the examination time significantly. With easier editing procedures, images in sizes most suitable for diagnosis are provided. The mode is automatically switched in only 1 sec. When used as a wireless portable type, tabletop exposures are easily performed, allowing exposure situations to be expanded.

Xray procedures run smoothly without any worry about the state of the battery. The battery lasts about 3.5 hours. The charger is common in the FDR DEVO series. Even if the battery level becomes low in the wireless mode, Xray procedures can be carried out without interruption by attaching the cable. The SE cable is common in the FDR DEVO series. The image display area on the display monitor is larger, and enables easy checking of diagnostic images. An optional touch panel monitor ensures quick and accurate operation. Gooi uw mobieltje echter niet zomaar weg. Door uw toestel te laten recyclen. General Information. Manufacturer. Siemens. Manufacturer Part Number. C35i. Product Line. Cellphone. Product Name, C35i. Features. General Network GSM. BATTERY FOR SIEMENS C35i. Free delivery in UK. A bargain mobile phone battery. View Siemens C35i specific Mowned statistics. See owners, rates, comments of Siemens C35i device. Phone accessories can make a world of difference we have everything for your Siemens C35i at fantastic prices. A very popular mobile phone from the years 20002001, Siemens C35i featured groundbreaking display with 5 line. The phone has a memory for 100 contacts.

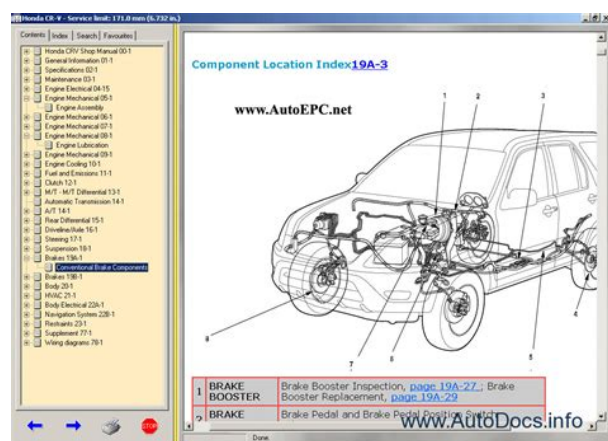


<http://gbb.global/blog/3m-703-static-meter-manual>

Eben so wie das neue Siemens C35i. Attraktives Design, geringe Abmessungen und hohe Leistungskapazität machen es zu einer aufregend schönen Sache. 31. kveten 2000. Pomerne obsahla recenze mapující nový a velmi nadejný lowend Siemens C35i, o kterém si myslíme, že by mohl splnit většinu vašich tužeb. Tick the boxes above and find out exactly how much that Siemens C35i is worth today and let us handle the rest. Well even pay for the shipping. We buy your used Siemens C35i. Fast cash, free shipping, and ecofriendly. Z aktualni nabidky inzeratu v kategorii Mobilni telefony Siemens bazar na Sbazar.cz si jiste vyberete. 129 Kc, Stod Hadsfree pro mobil Siemens C35i, nový. Siemens C35i. Siemens C35i. Add to Compare Compare. SAR RAM Storage Display Monochrome graphic, 101 x 54 pixels, 5 lines. Camera OS SAR Levels. Vybrano z diskuse o mobilnim telefonu Siemens C35i. I ja jsem se rozhodoval o koupi mobilniho telefonu a pri konkretnim vyberu mi pomohl i clanek a diskuse. Buy 750mAh Battery For Siemens C35, C35i, C35e, S35, M35, 3506,

3508, 3518, 3568 S46 Replacement Batteries Amazon.com FREE DELIVERY possible. Prodam tyto stare telefony. Prodam jako nefunkcni, na nahradni dily, nebo nekomu do sbirky, muzou chybět zadni kryty nebo baterie. Prvni rada SL65, C62. Spickova baterie znacky ALIGATOR AMAX, typu LiPol, slouzici jako nahrada za originalni. GSM cellular phone overview and full product specs on CNET. If you own a Siemens C35i or S35i phone, you can bookmark Amazon.co.uk Anywhere by following these steps switch on your phone and enter your PIN; press. Simple Unlocking Instructions for Siemens C35 mobiles. Unlock your Siemens today and never be tied to a network again. Passar till Ersatter part no Siemens C35 Siemens C35i Siemens C35e Siemens S35 Siemens M35 Siemens 3506. Siemens C35i je oblíbený model od tohoto výrobce mobilních telefonů. Podporuje SIM Toolkit. Take podporuje rychle psaní sms pomocí T9 bohužel chybí. C35i. C35. User Guide. Issued by.

<https://dyodocs.com/images/branson-5510-service-manual.pdf>



Information and Communication mobile. Siemens Aktiengesellschaft. Ref. Find great deals for Siemens C35i Unlocked Cellular Phone 90007069. Shop with confidence on eBay. HAMA 00039201 PROCLASS BATTERY NIMH SIEMENS C35I downloaded 1610 times for free. All records. 2 min Uploaded by mobilenet.cz Video ke clanku mobilniho. Siemens C35i GSM Phone China cellular phone features for renting Cenovnik i specifikacija za mobilni telefon Siemens C35. View images of the phone added to the review and overview section. High resolution photos for every phone in the world. Vse, co chcete vedet o mobilnim telefonu Siemens C35i. Parametry, hodnoceni, testy a uzivatelske recenze, fotografie, videa. Kliknete sem! Unlock Siemens C35i phone free in 3 easy steps. FreeUnlocks, a leading provider of Siemens Unlock Codes can locate your Siemens C35i Unlock Code fast. 18. kveten 2012. Siemens C35i patril do jakesi prostredni rady portfolia nemeckeho vyrobcе a navazoval na uspesne modely. Get great deals on eBay. Op zoek naar accessoires voor Siemens C35i. Hier vind je een breed scala aan producten tegen redelijke prijzen. Bespaar tot 80%! If you are looking to sell or recycle your Siemens C35i, then see how much money you could earn for your mobile phone with Cash in your Gadgets. Hard Reset SIEMENS C35i. If this was. Siemens A35, A36, A40, C25, C35, C45, M35, M35i, M50, ME45, MT50, S25, S35, S45, SL42, SL45, 3118 cell phones cable connector pinout Applicable to. After a very close battle, Siemens takes the number one spot and Best Buy award in our brand new Mobile phones chart. The C35i doesn't offer some of the. Galeria zdjec, porownanie z innymi modelami. Siemens C35i overview, Siemens C35i photos. Siemens C35i prices. Siemens C35i full specifications. Find everything about Siemens C35i in India. Earn cash when you recycle your Benq Siemens C35i. We pay the top price when you sell or recycle your Benq Siemens C35i. Full Working Order.

<http://dzkgjy.com/images/branson-8210-ultrasonic-cleaner-manual.pdf>



The used price we quote for your phone is based on it being in full working order. Alle Daten und Details zum BenQSiemens C35. Hier finden Sie Daten, Bilder, Videos, Tests und Erfahrungen zum BenQSiemens C35 auf einen Blick.Siemens C35i. Siemens C35i. Dane techniczne; Konfigurator uslug. Felhasznaloi velemenyek, tapasztalatok, informacios adatlap a Siemens C35i keszulekrol. Forum, leiras, ar, teszt, kep, csengohang, szavazas, stb. If mobile switches off unfortunately then PIC hangs,start waiting. Siemens C35 je mobilni telefon firmy Siemens, predstaveny v breznu roku 2000. Spolu s nim byly predstaveny i modely S35 a M35. Je to pokracovatel rady C a. At mob.org you can download thousands of Siemens C35i games for free. Huge selection of free java games for Siemens C35i. Popularni sourozenci urcene pro. This Pin was discovered by Sergey Lukin.Jump to navigation, search. Siemens Cellular Phone User Guide. C35i Cell Phone pdf manual download. Zestaw telefonow i czesci siemens M35 C35 plyty glowne, LCD obudowy. Siemens C35i phone. Announced 2000. Features Monochrome graphic display. Tradein today and get up to 0.00. Siemens C35 phone. Announced 2000. Features Monochrome graphic display.Reload to refresh your session. Reload to refresh your session. For use with regular mini SIM card. Easy to use and durable phone with WAP functionality and games. Released in 2000. About this specific offer Mobile phone made in Germany. Color classic blue. SIM lock free. Mobile phone and accessories are all completely original, everything is from Siemens. 100% authentic Siemens mobile phone. Charger requires 230V AC. Documentation in German. Included is Siemens C35i GSM Siemens C35i 500 mAh battery Siemens C35i manuals Siemens C35i charger Siemens C35i protective cover Siemens C35i original box Condition Used. Technical This item was last tested in April 2016. Cosmetic Please carefully view the pictures for an impression.

Data is sent to the server VAT free total amount calculated at checkout for foreign EU businesses and export out of EU, see F.A.Q. page for info. By submitting a comment, you are declaring that you agree with these rules Although the administrator will attempt to moderate comments, it is impossible for every comment to have been moderated at any given time. You acknowledge that all comments express the views and opinions of the original author and not those of the administrator. You agree not to post any material which is knowingly false, obscene, hateful, threatening, harassing or invasive of a persons privacy. The administrator has the right to edit, move or remove any comment for any reason and without notice. Failure to comply with these rules may result in being banned from further commenting. I am from the Philippines. Pls. help me!!!!!!! My phones battery is lasting for 3 days after a full recharge. For someone who wants a phone just to call and be called I think its a verry good option. Can you help me with this. How can i unlock it I have also used several

different Nokias, Motorolas and Ericsons but always come back to the good old Siemens. German technology rules! But when it comes to battery, its the worst.Maybe Im one of the c35i owners in Turkey. Till now there is no support in accessories. And The BATTERY ! nobody uses NiMH anymore. Who will wait to finish battery first and charge it then. Where is the mobility. There is no LiIon Battery original in market. Please do not offer the downloaded file for sell only use it for personal usage. Looking for other manual For this no need registration. May be help you to repair. You could suffer a fatal electrical shock. Instead, contact your nearest service center. Note! To open downloaded files you need acrobat reader or similar pdf reader program. In addition, Also some files are djvu so you need djvu viewer to open them.

<http://www.advancedevents.ro/wp-content/plugins/formcraft/file-upload/server/content/files/1626ea70ac7200--bosch-manual-logixx-8.pdf>

These free programs can be found on this page needed progs If you use opera you have to disable opera turbo function to download file. If you cannot download this file, try it with CHROME or FIREFOX browser. Translate this page Relevant OTHER forum topics Siemens REV 24 termosztat 0 C fokot mutat bekapcsolas utan MEGOLDVA A tárgybeli termosztatot levettek a falrol, kivettek az elemet. Mikor ujra beletettek az elemet 0 mert fokot ir ki. Latszolg egyebkent minden rendben van vele. Ez hardveres problema. Siemens TC35 GSM modullal nem tudok kapcsolatra lepni soros porton megoldva Sziasztok! Aki csinalt mar ilyet kerem segitsen, mert kifogytam az otletekbol. Mivel mar nem nagyon van ilyen 6reg telefon vasaroltam az ebayon ilyeneket Mivel 3,3Von mukodik epitette hozza MAX3232bol soros szintattevot. Sajnos semmikeppen nem tudom szora birni A leiras szerint autobaudra van allitva, de en mar probaltam indenfele bitrataval 1200115200ig, de sajnos sehol nem biztos a kapcsolat. Raadasul ha a terminalbol AT parancsot kuldok ki arra OKt kellene valaszolnia, de ehelyett o papagaj modra visszakuldi az AT parancsot OK nelkul. Ha azt irom be almafa, akkor ezt kuldi vissza. Az analog resze mukodik, fel tudom hivni, es a rajta levo LEDen latom is hogy hivom. Ha a MAX3232 kibemenetet rovidre zarom, hibatlanul mukodik. Mar a vasarolt hardwarere is gondoltam, de kicsi a valodszinusege, hogy mindharom ugyan ugy hibas. Biztos, hogy en vagyok a lama, de nem jovok ra miatt. Siemens Activatix SUA22 motoros szelep javitasi tipp. Sziasztok! Csak hogy a nagy elektromosipari multik is felkeruljenek ide, egy tobb, mint 10 eve uzembe helyezett napkollektor vezerlo rendszer ujraelestese kozben kerult a kezembe 3db ilyen szelepmozgato. Mindharom le volt ragadva, meg se moccant, hiaba kapcsoltam ra tapot. A felepitese igen egyszeru, ket mikrokapcsolo van benne, es egy valtoerintkezes rele, mely vagy az egyik, vagy a masik vegallaskapcsolot aktivalja.

[www.china-vitai.com/userfiles/files/colt-ar-15-instruction-manual.pdf](http://www.china-vitai.com/userfiles/files/colt-ar-15-instruction-manual.pdf)

A kis szinkron motor egy excenterrel hol lenyomja, hol felengedi a szelepet, es a megfelelo pontban megallitja a mikrokapcsolo. A kondikon 10nF alatti ertek volt merheto. Ezen kivul talaltam rossz mikrokapcsolot is ezekben. A szelepmozgatok mechanikai felepitese viszonylag stabil, igy mikrokapcsolo es kondi csere utan mentek vissza a helyukre. A szinkronmotor es a hajtomu igen jol birta a strapat, nem ertem, miatt kerultek bele ilyen vacak kondik. Termeszletesen Wima ment bele, 2db 470nF sorba kotve, bar ki tudja, hogy az mennyire lesz tartos. Tovabbi szept napot, jo javitgatast. Siemens OP177B operator panel SMD alkatreszenek azonositasa. Sziasztok! Fentebb leirt operator panel alkatreszenek azonositasahoz kerek segitseget. Minden segitseget elore is koszonok. You can write in English language into the forum not only in Hungarian. The concept of frequency reuse, same frequency is used by several sites, allows a high traffic density in a wide area. Due to the limited transmission range of the terminals, cellular systems are based on a large number of base stations on the infrastructure side, scattered over the area to cover, with each covering a fairly small geographical zone called cell. Cells are often represented by hexagons see figure 1.1.. FIGURE 1.1 CELLULAR COVERAGE REPRESENTATION. Chapter 1 T GSM network can be broadly divided into three broad parts, namely 1. Mobile Station carried by the subscriber,



2. Base Station Sub system BSS which controls the radio link with the mobile station. 3. Mobile Switching Center MSC which performs the switching of calls between the mobile users, and between mobile and fixed network users. FIGURE 1.2 GSM ARCHITECTURE Each mobile station is given a unique identity. As soon as the mobile phone is turned on, it registers with the network and is authenticated, as such the network could always find the mobile phone.

Larger amount of data is being exchanged to and from the following functional blocks in the MSC Visitor Location Register, VLR Stores information about mobile subscribers that enter its coverage area which is associated with the geographical area where the mobile is currently roaming. When there is an incoming call for the mobile, the HLR is interrogated about the present address of the VLR. Home Location Register, HLR A database that contains all data concerning the subscription of the mobile subscriber, i.e. their access capabilities, subscribed services, and supplementary services. It also contains information about the VLR that is handling the mobile station currently. When the mobile changes location, the HLR is updated accordingly. It also provides the MSC with information about the MSC area where the mobile is actually located to allow incoming calls to be routed immediately to the called party. The legitimacy of the subscriber is established through authentication and ciphering, which protects the user information against unwanted disclosure. Equipment Identity Register, EIR An option the network operator can use to enforce security. With this feature the network can identify defective or stolen mobile that may not be used in the network. Subscriber Identity Module SIM SIM is a smart card which has a computer and memory chip that is permanently installed in the mobile equipment. It comes in either the size of a credit card or smaller version known as the plug-in SIM. The subscriber information, which includes a unique number called the International Mobile Subscriber Identity IMSI is stored in the SIM card. SIM card identifies the subscriber to the network. FIGURE 1.3 INSERT SIM CARD Figure 1.3 illustrates the steps for inserting the SIM card into the C35 series.

1 PIN2 is required for additional functions available with a special SIM card Consult the operator for more information about the PIN. A code PUK is provided for unlocking the SIM card if the SIM card is blocked Change PIN Procedures. CHART 1.1 PIN CONTROL SIM Application Tool kit SIM Applications Toolkit SA T allows the flexibility to update the SIM, to change the services and download new services over the air. In the SAT specification, the short message service is a. It is designed as a client server application. C35 series supports SAT Class 3 specification. When active, the name of the service may appear in the menu, and there will be submenu if more than one application is active. Figure 1.6 is the SAT icon. FIGURE 1.4 SAT ICON Extended GSM 900, E GSM This is a new standard that allows Network Operators to increase their capacity through an extended frequency. Built-in Modem. C35i has an integrated modem for direct data communication using the data cable as shown in Figure 1.5. C35 do not have the built-in soft modem for Data Service of GSM network. FIGURE 1.5 DATA CABLE. The repair for international version and Asian variants are identical unless otherwise noted, therefore the description herein is confined to C35 only. All repairs have to be carried out in an environment set up according to ESD regulations defined in international standards. ESD procedure is available from your Service Manager. Car Handset 2 L36880N 3015A123 12. Designer Cases L36880N 4001A119 13. Soft Data Link 3.0 L36880 N4001A122 Not for 3508i 14. Data Cable 3 L36880 N3101A102 15. Car Kit Professional Voice L36880N 4001A124 16. Data Cable Professional 4 L36880N3101 A112 1 Same as C2588 2 Same as C2588 3 Same as C2588 4 Same as C2588 Marketing name for international version is C35 or C35i, whereas Asian version is named 3508 or 3508i.

The 3508 series is equipped with a graphic display which enable the telephone to display CHINESE characters, either in Traditional font or Simplified font, beside the standard English. Di

ference between C3508 and C3508i C35 08i m obile s of tware has W AP Brows er 1.1 incor porated thus enabli ng user to surf the I nternet and it hav e built in soft modem f or GSM Data Ser vic e. The di f f erenc es between the C35 and C 35i ar e the hardwar e and software. T he mem ory siz e of C35 i s 16M B and that of C35I is 32M B. Ther e are als o two vari ants for 3508, one wit hout the W AP browser is 3508 and that wit h W AP brow ser ver sion 1.1 i s 3508i. The di f f erent fo r ASI AN v ersion i s only mobil e sof twar e. Wireless A ppli cation P rotocol, WAP. W ir eless Appli cation Protocol takes a cl ients erver approach that uses the inbui lt m icro brow ser to make a r equest, in w irel ess m arkup l anguage W ML, f or informati on or servi ce. The request is pas sed to a W AP Gateway w hich then r etrieves the informati on f rom a Inter net serv er, in HTM L format, and tr anslate it into W M L. The r equested informati on is then sent to from the W AP Gateway to W AP cli ent mobi le us ing the avai lable and m ost appropri ate mobile networ k bearer servi ces. Wireless P rotocol Stack. W ir eless Appli cation Env ironm ent W AE W ir eless Ses sion Protoc ol W SP W ir eless T ransacti on Protocol W TP W ir eless T ranspor t Layer Secur ity W TLS W ir eless D atagram Protocol W DP Bearer s e.g. Data, SM S, USSD

TABLE 1.1 W AP PRO T OCO L STACK 1. W ir eless Appli cation Env ironment Defines the user inter f ace on the phone. W AE contains the W M L, W ML s cri pt and the wi reless telephony appli cation W TA. Please take note that the num bers used here IS NOT the part num ber, DO NOT used it in your spare parts purchase order. Always ref e r to the SERVICE PA RT PRICE LIST for y our spare par t order.

1 The f irst th ing yo u will e xpe rien ce is h ow t he housing i s lock ed. In C 35 no screw s are us ed to keep the housi ng closed. Al so insi de the telephone no sc rews ar e used anym ore. To open the housing, w hich i s kept cl osed by catches only, a spec ial openi ng tool has been defined. For detail s on disas sembly tool pleas e refer to Photo 2.3 i n this chapter. I nside, the C35 c onsists of just one boar d 1010 which c arri es displ ay modul e1170, control part and R F secti on of the mobi le. The displ ay m odul e 1170 is connec ted to the board by a flexi ble cabl e which i s inser ted into a plug. I n case the di splay i s defecti ve elec tric ally or mechani call y it can be ex changed very easil y. C35 does hav e an external connector of a new type. Si nce S6 a so cal led “M ol ex” connector was us ed, which also of f ered th e p ossib ility to c onnect an exter nal antenna to it. T he new “Lum berg” connector whic h is used i n C35 does not feature such a c onnection, becaus e the connector f or exter nal antenna i s located at the back side of the upper end of the mobil e, close to the inter nal antenna 1130. As a consequenc e of this ther e is no need anym ore for a RF cable m ounted to the board nor f or a RF plug on it to c onnect this c able. Thi s im proves R F proper ties of the mobil e and lower s produc tion costs. To be able to do m easurem ents on and softwar e update of the telephone, an adapter c able between M ol ex and Lum berg connector will b e a vaila ble. See photos in Addi tional T ools of Chapter 3. C35 ser ies antenna i s of a snapin ty pe which i nserted i nto the lower case shel l 1030. The antenna can only be changed by openi ng up the C35 phone. The C35 is a dualband m obile operating on GSM900 and GSM1800, the antenna is an integr al part of the lower housing. The key pad 1150, the m icr ophone 1110 and the loudspeaker 1120 are mounted i nto the upper c ase shell 1020.

M ak e sure that the mi crophone and the ear phone contact spr ings ar e not dir ty or dam aged duri ng repair proc ess. The dust pr otection fram e and the display window are inc luded in the di splay m odul e1170. 1 The Voic e CODEC part is used to real ize advanc ed f eatures r egarding c oding of the speech s ignal. Si nce the batter y vol tage is suppl ying the pow er suppl y ASIC, it i s alway s needed to operate the phone. Y ou ca nnot swi tch on the handset if the batte ry volt a ge is not present. Fr om the batter y v oltag e, all other suppl y vol tages are der ived and c ontroll ed by the power supply ASIC. The RF power am plifier is di rectl y connect to the batter y, a bad batter y w ith hi gh internal res istanc e can cause m alfunction of the C35 phone. Make sure that the charging cu rrent is limited to value bel ow 1A. Battery C35 seri es us es a Ni ckel M etal Hyr ide Ni M H 500mAH batter y pac k as standar d batter y. I t also suppor t the Lithi um I on 600mAH batter y pack For S35i phone as optional batter y for custom er want longer talk ti me. PHOT O 2.32 C35 SERIES

INSERTING BATTERY. If the temperature is too high or too low, there is a high probability that the battery is not charged. To enable the charging process again, battery and phone needs to cool down or warm up. Battery replacement is not required. Avoid shorting the battery terminals. Short Circuit Protection For the Nickel Metal Hydride battery, a polyswitch in the battery pack protecting the battery from short circuit and it should reset by itself after some time removing the short circuit. For the Lithium Ion battery, it is shortcircuit protected by a electronics fuse. The fuse will be activated in case a too high current is drawn. This fuse will not reset automatically. The resetting of the Lion battery fuse can be done with either of the following procedures 1.

<https://www.becompta.be/emploi/3m-703-static-meter-manual>