



File Name: Campbell lather king manual.pdf

Size: 1550 KB

Type: PDF, ePub, eBook

Category: Book

Uploaded: 17 May 2019, 20:38 PM

Rating: 4.6/5 from 668 votes.

Download Now!

Please check the box below to proceed.



I'm not a robot



reCAPTCHA
Privacy - Terms

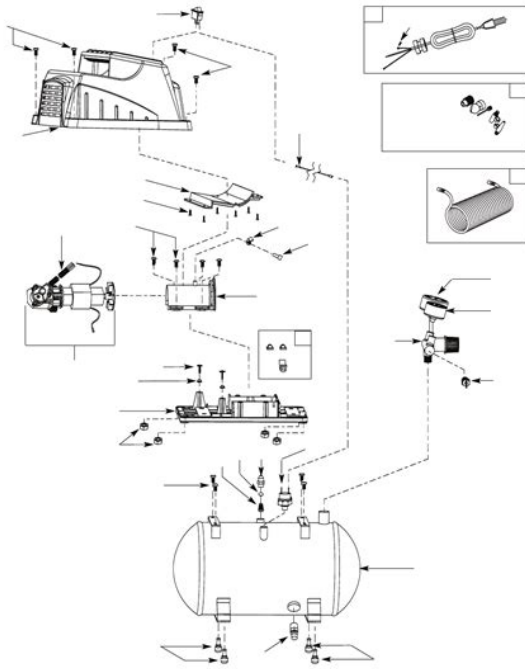
Book Descriptions:

Campbell lather king manual



It didnt come with an owners manual so I have no idea of what to do. I held the button down for 5 minutes and it was still soap. Also, I am using the Campbells Shaving Cream. Glad youve seen the light, Sir! It helps to dilute the concentrated mixture. I finally read the back of the bottle. Mine came with no instructions also. I assume you know you have to put mostly water in it. Mix it well before putting it in the machine. I dont have any Campbells cream. So far Ive had the best results with Gillette liquid shaving soap concentrate but I dont have much left and its very hard to find — I think its been out of production for years. Ive read that Campbells own cream isnt very good. Lucky Tiger seems to be well liked but I havent bought any yet. Im not liking a hot lather machine as much as I thought I would. A barbershop shave isnt easy to duplicate at home. Aha! I see you found the answer before I could get this posted. Have fun! Richard Campbells soap is really bad; Lucky Tiger or one of the other brands makes a much better lather. They also have some cleaning solution you need to use regularly to keep the machine from clogging up. If you check past posts, you will find that ClassicShaving stopped carrying them because of so many mechanical problems. I never had any problems with the one I had, but I eventually found that using quality creams and a Moss Scuttle provided better lather which was a warm as I wanted. Good luck with the machine, and welcome to the board. BobS Dreadful contraptions. Regards, Gordon One really needs to use a base coat of cream with a latherizer. IE Lucky Tiger, Noxema, or Gabels shave cream in a jar. Thats how the old school barbers did it in the 60s70s. Then apply hot lather and a steam towel. Then reapply hot lather. Its a little inconvenient when youre in a rush, but was one of the most enjoyable part of a barber shave for me. LM My cheap drug store brush and Williams made far better lather. <http://www.gancza-yacht.pl/userfiles/diritto-immigrazione-manuale.xml>

- **campbell lather king manual, campbell leather king manual pdf, campbell leather king manual download, campbell leather king manual free, campbell leather king manual 2017, campbell lather king manual.**



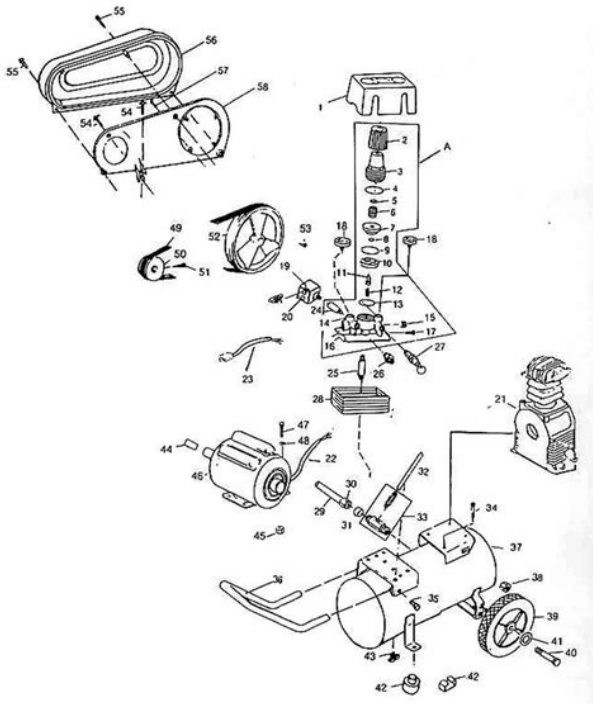
The hard water here created a scum which frequently gummed up the works. The cleaning solution didnt work and it finally got chucked when it gummed up for good. If you have any hardness to your water, you may have to open up the case and manually clean out the works to keep it functioning. Some barbers I know swear by the Latherizer. Some hate em. My coworker and I got one and, having established that the Campbell concentrate wasnt what we wanted, had a fairly good run trying all different kinds of shave creams at different dilutions. I think our two best outings were with JM Frasers and The Real Shaving Company creams. They werent that bad but the machine proved to be a real PITA and in the end it wound up under the counter, then on the back shelf in the stockroom. For neck shaves I mix lather with a brush in a mug and keep it warm in the towel warmer, whipping it up again as needed. For shave services I mix fresh lather with brush and mug three or four times a day. My recommendation is to try lots of different creams at different dilutions and to keep the machine clean. Really clean. Regards, Les. Manufactured with a NEW and IMPROVED Valve System to promote a better flow of lather and reduce clogging. Includes a cleaning brush intended to clear out minor blockages of soap residue in the valve opening. I was told they fixed the valve and my machine hasnt clogged yet. Very happy with my machine. Thanks for letting us know. If you can point us in the right direction. Doesn't leak. Works well. A lot of bad reviews but maybe I got lucky. Im gonna try for a second time so wish me luck Thanks for letting us know. If you can point us in the right direction. Thanks for letting us know. If you can point us in the right direction. Thanks for letting us know. If you can point us in the right direction. The reservoir is too small that I have to refill the soap too many times in one day. <http://westcoastcutting.ca/userfiles/dirland-dss-9000-manual.xml>



It would be really nice if they can redesign about five times bigger Thanks for letting us know. If you can point us in the right direction. Haven't had any issues since they put out this newer model Thanks for letting us know. If you can point us in the right direction. Thanks for letting us know. If you can point us in the right direction. I think it holds enough mix. I'm doing 3040 neck shaves a day. Thanks for letting us know. If you can point us in the right direction. Thanks for letting us know. If you can point us in the right direction. We bought one of the first versions of this and lather didn't come out fast and was very disappointing. The new version with the new valve sends lather flowing out like a volcano. Great purchase. Thanks for letting us know. If you can point us in the right direction. I wasn't impressed so I sent it back. But this month I purchased another one and to my pleasant surprise it was wonderful much improved. Thanks for letting us know. If you can point us in the right direction. Still produces the always expected thick, hot lather and looks much better on the back counter Thanks for letting us know. If you can point us in the right direction. Thanks for letting us know. If you can point us in the right direction. Thanks for letting us know. If you can point us in the right direction. I'm giving it 4 stars because each time I dispense lather it comes out as liquid before I get a good lather. Thanks for letting us know. If you can point us in the right direction. Thanks for letting us know. If you can point us in the right direction. If you continue to use this site we will assume that you have read and agree to the privacy policy. Ok Privacy policy. For more info on the coronavirus please see the link below For a better experience, please enable JavaScript in your browser before proceeding. It may not display this or other websites correctly. You should upgrade or use an alternative browser.

I've always been good with machines, so he passed me an old and somewhat disused Campbell Lather King a hot lather machine, for those not aware. It'll be a simple matter to get the thing repaired, cleaned and running again mostly it needs a heating element but I was hoping to get everyone's thoughts on it. Does anyone use a latherizer of any stripe, and if so what're your impressions of the device. Tips for cleaning a years-disused machine of this sort would also be nice; the outside is just soap and water, but the inside is gonna call for clearing out the soap and I'm not certain if alcohol will be enough. Do an internet search for Lather King repair parts or Campbell Lather King parts. This will give you a nice starting point as to who to look for when ordering the heating element, plus, you can see pics of the parts you'll be needing, and some sites may even have schematics of the Lather King with slight notes on how things go together. BestClipperParts.com is usually who we go through for our parts, online clipper parts only though. Also, it is important to purchase a bottle of the Campbell lather machine CLEANER. Using their cleaner as per the directions will keep your lather machine running fantastic! P.S. make sure to use only Campbell's liquid lather soap in your machine. There are other manufacturers of latherizers, and from what

weve been instructed, Campbells is specially formulated for their machines. Hope this helps in your endeavor. It seems to work; spit out watery stuff intermittently as I cycled the cleaning solution through since there was no actual soap involved, I suspect this is normal. Motors got a bit of a highpitched grind at the end; it I can get to it it may benefit from a few drops of oil. Both times Ive been for a hot shave hes made a superlather using this machines soap and a cream whose name escapes me at the moment. Works like a dream, so as my shave den expands Ill probably experiment with it for that purpose as well.



<https://skazkina.com/ru/3m-x55-manual>

I think it was mostly positive. It is worth a search. I am sure there was nothing on repair though. Regards, Todd It makes a nice soft lather, which feels great, but the heat disappears quickly. Since I am only shaving one man, I plug it in about an hour before each shave. I prefer my stick and brush or lather shave cream and brush, but once in a while the hot lather is a nice change of pace. Since you know how to repair them, would you tell me how to clean mine Anyone know how long the soap lasts in the machine That drawing will lead you to a supplier of parts. There are several, so check shipping costs as well for the best price. I repaired a Latherizer for a local barber and I am now waiting for a new heating element I ordered. Pay a lot of attention how you remove the old element so you will remember how to insert the new one. When I fist got the machine, it was completely disassembled in a box. Another party had examined it and declared it junk. I tested the motor and the heating element and both were good. I ordered new parts, cleaned it out and got it working. The heating element is now burned out and now Im not really sure if I put it in correctly. Anyway, Ill give it a try and hope for the best. Good luck with your project. The drawing will help a lot and it has the part numbers listed as well. How about that! And, Welcome Sir Hamguy!! Thanks for the welcome. Please try again.Please try again.In order to navigate out of this carousel please use your heading shortcut key to navigate to the next or previous heading. Register a free business account Please try your search again later.This 8 ounce machine cleaner extends the life of Campbells famous latherking hot latherizer. It frees stuck parts, eliminates clogged soap passages, and helps to reduce hard water mineral buildup. If you own a latherking this product is a must have for you.Learn More To calculate the overall star rating and percentage breakdown by star, we don't use a simple

average.

<http://www.gherlo.com/images/briot-alta-nx-manual.pdf>



Instead, our system considers things like how recent a review is and if the reviewer bought the item on Amazon. It also analyzes reviews to verify trustworthiness. Please try again later. Talk shop 5.0 out of 5 stars This is not meant for shave gel heaters. Almost all of these reviews complain, because they simply didn't read the product description. It's like buying a toaster and complaining that you weren't able to bake a cake with it. If you have a Lather King, Lather Time or another similar professional machine this is what you need. Sorry, we failed to record your vote. Please try again We recommend that you do not solely rely on the information presented and that you always read labels, warnings, and directions before using or consuming a product. For additional information about a product, please contact the manufacturer. Content on this site is for reference purposes and is not intended to substitute for advice given by a physician, pharmacist, or other licensed healthcare professional. You should not use this information as selfdiagnosis or for treating a health problem or disease. Contact your healthcare provider immediately if you suspect that you have a medical problem. Information and statements regarding dietary supplements have not been evaluated by the Food and Drug Administration and are not intended to diagnose, treat, cure, or prevent any disease or health condition. Amazon.com assumes no liability for inaccuracies or misstatements about products. Our payment security system encrypts your information during transmission. We don't share your credit card details with thirdparty sellers, and we don't sell your information to others. Please try again. Please try again. Show details. Sold by Barber Zone and ships from Amazon Fulfillment. In order to navigate out of this carousel please use your heading shortcut key to navigate to the next or previous heading. Register a free business account Please try your search again later.

<http://arma-tek.com/images/briot-silver-plus-manual.pdf>

INTRODUCING
THE NEXT GENERATION
Latherking



To calculate the overall star rating and percentage breakdown by star, we don't use a simple average. Instead, our system considers things like how recent a review is and if the reviewer bought the item on Amazon. It also analyzes reviews to verify trustworthiness. Please try again later. Jess 4.0 out of 5 stars Another complaint is that sometimes, the lather is SO hot, it is too much for me to handle. Other times, its not warm enough, no matter how long the latherer has been running. It still gets the job done, though and I havent found another product that compares to it, so four stars seems reasonable even with my concerns. Took it out of the box. Read and followed the directions. The machine worked just as it should. I had hot lather in 10 mins and shaved my client. Even he said it's the closest clean shave he's had by a barber. No drips or leaks. No problems. This one keeps emptying the lather out everywhere all of a sudden and I could never get the foam right. I can't seem to get ahold of anyone about product warranty either. I was skeptical of the Lather Time machine, but these things are workhorses. I've since bought 4 and have never had a problem. Just a tipput them on a timer to turn them off at night. You don't need hot foam 24hours a day. You'll burn out that coil and the soap gets grody. I was excited to use it on my first client of the day so I got to work early and mixed everything as per the directions. I literally had to hold the button for a solid minute to get anything worth putting on the back of the neck for a lineup. To top it off, it never really got that warm. It's called hot lather for a reason. Returning and getting something better Takes longer to heat then instructions state so. Takes longer to heat then instructions state so I just leave it on. Opened box three days ago. it worked for three days then stopped. Three. Days. You can buy this junk machine. OR You can just light your money on fire. Dealers choice. Love my Lather Time.

Maintained daily and no issues thus far. Would purchase again if needed. Sorry, we failed to record your vote. Please try again Commercial use got me 3.5 years out of our first one Sorry, we failed to record your vote. Please try again Sorry, we failed to record your vote. Please try again Sorry, we failed to record your vote. Please try again Excellent investissement ! Sorry, we failed to record your vote. Please try again Sorry, we failed to record your vote. Please try again Very expensive for that to happen Sorry, we failed to record your vote. Please try again We recommend that you do not solely rely on the information presented and that you always read labels, warnings, and directions before

using or consuming a product. For additional information about a product, please contact the manufacturer. Content on this site is for reference purposes and is not intended to substitute for advice given by a physician, pharmacist, or other licensed healthcare professional. You should not use this information as selfdiagnosis or for treating a health problem or disease. Contact your healthcare provider immediately if you suspect that you have a medical problem. Information and statements regarding dietary supplements have not been evaluated by the Food and Drug Administration and are not intended to diagnose, treat, cure, or prevent any disease or health condition. Amazon.com assumes no liability for inaccuracies or misstatements about products. Created with Sketch. Mix with water per instructions on the bottle to make 2 gallons of rich, thick, lather. Nice fresh scent. 8oz bottle. Made in USA.

<http://www.theagentpipeline.com/wp-content/plugins/formcraft/file-upload/server/content/files/1626fcdd3e023b---bose-model-25-surface-mount-speaker-manual.pdf>

cuakeobinhduong.com/upload/files/brc-manual-for-food-safety.pdf

<http://fscl.ru/content/3m-x55-manual>