



**File Name:** Canon eos 50e instruction manual.pdf

**Size:** 3804 KB

**Type:** PDF, ePub, eBook

**Category:** Book

**Uploaded:** 28 May 2019, 12:18 PM

**Rating:** 4.6/5 from 596 votes.

**Download Now!**

Please check the box below to proceed.



I'm not a robot



reCAPTCHA  
Privacy - Terms

## Book Descriptions:

# Canon eos 50e instruction manual



It'll make you feel better, won't it. If you use Pay Pal, use the link below. Use the above address for a check, M.O. or cash. NOTE they only print in Black and White. The pages are then spiral bound with a clear acetate front cover and red card back cover, held together with a strong white wire. Your manual will lay flat when open and will last for as long as your camera, with a little bit of care. Manuals over 400 pages long may be supplied as more than one book. HTML Loading. Marketed September 1995 Canon Autofocus Usable Lenses Canon EF lenses. Gives 90% picture Three AF focusing indicators superimposed and flashes in red They also light during depth of field preview Shutter Vertical travel, focal plane shutter with all speeds electronically In the manual Focusing point selection The focus point can be selected 1. Automatic Camera selected. 2. Manual User selected with button and dial. 3. Eye controlled; User selected by eye movement EOS Another Copyright free image collection. ISO Film Speed Range ISO 6 to 6400 manually ISO 25 5000 can be set automatically. Not available in PIC modes. If this happens, have it replaced at cost by At low temperatures, the display response of the LCD panel Film advance Depending on the mode selected, the film advances automatically Align film leader at mark, then close the Automatic film advance with built-in motor. Film rewind Automatic at the end of the roll. Midroll rewind is possible Multiple exposures Maximum Frame Counter Counts down on external LCD panel counts up during prewind Red Eye reduction lamp AF Assist beam emitter provided. Guide Number ISO 100, m 13 changes according to film speed. Recycling In the Tv mode Flash Sync speed In Programmed Eleven custom functions. Each function Self timer Electronically controlled for 10sec. Auto popup and serial controlled. Recycling Time Approximately Remote Control 3pin remote control External Flash Hot shoe socket for external flash for ETTL, ATTL and TTL Manual flash is possible. <http://puebloexec.com/userfiles/double-thread-sewing-machine-manual.xml>

- **canon eos 50e instruction manual, canon eos 50d instruction manual, canon eos 50e instruction manual pdf, canon eos 50e instruction manual instructions, canon eos 50e instruction manual download, canon eos 50e instruction manual 2016.**



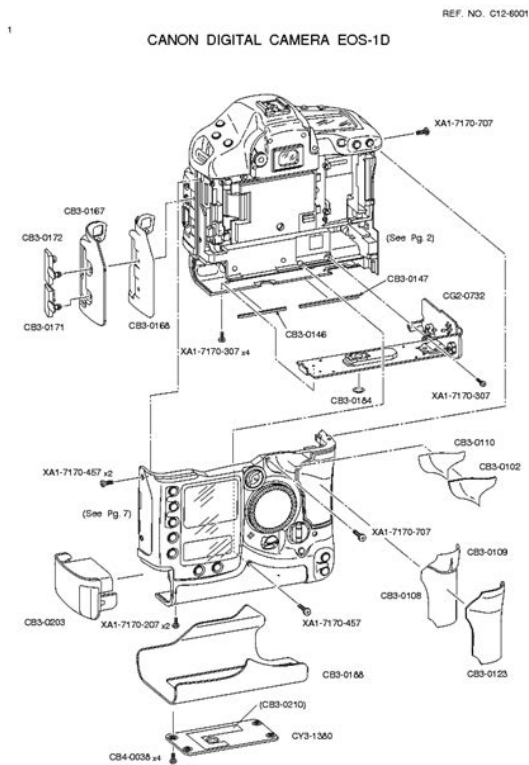
Using a flash unit equipped with battery. Battery check dimension 152.5mm W x. Features the following formats: Power source: One lithium CR2025 battery, battery life of about 3 years. All specifications have copyright 2002. Members of the EOS Site Maintenance Note certain content. Please choose a different delivery location. Our payment security system encrypts your information during transmission. We don't share your credit card details with thirdparty sellers, and we don't sell your information to others. Please try again. Please try again. In order to navigate out of this carousel please use your heading shortcut key to navigate to the next or previous heading. In order to navigate out of this carousel please use your heading shortcut key to navigate to the next or previous heading. In order to navigate out of this carousel please use your heading shortcut key to navigate to the next or previous heading. Register a free business account. Full content visible, double tap to read brief content. Please try your search again later. To calculate the overall star rating and percentage breakdown by star, we don't use a simple average. Instead, our system considers things like how recent a review is and if the reviewer bought the item on Amazon. It also analyzes reviews to verify trustworthiness. Please try again later. djl 4.0 out of 5 stars. We don't share your credit card details with thirdparty sellers, and we don't sell your information to others. Please try again. Please try again. In order to navigate out of this carousel please use your heading shortcut key to navigate to the next or previous heading. In order to navigate out of this carousel please use your heading shortcut key to navigate to the next or previous heading. Register a free business account. Please try your search again later. To calculate the overall star rating and percentage breakdown by star, we don't use a simple average. It also analyzes reviews to verify trustworthiness. Please try again later. <http://baharev76.ru/userfiles/doug-schaff-advanced-indicator-manual.xml>



William Campbell 5.0 out of 5 stars Very helpful product to learn all the functions of the is great camera. This amount is subject to change until you make payment. For additional information, see the Global Shipping Programme terms and conditions opens in a new window or tab This amount is subject to change until you make payment. If you reside in an EU member state besides UK, import VAT on this purchase is not recoverable. For additional information, see the Global Shipping Programme terms and conditions opens in a new window or tab Delivery times may vary, especially during peak periods and will depend on when your payment clears opens in a new window or tab. Learn more opens in a new window or tab The item may have some signs of cosmetic wear, but is fully operational and functions as intended. This item may be a floor model or an item that has been returned to the seller after a period of use. See the seller's listing for full details and description of any imperfections. You're covered by the eBay Money Back Guarantee if you receive an item that is not as described in the listing. Find out more about your rights as a buyer opens in a new window or tab and exceptions opens in a new window or tab. We may receive commission if your application for credit is successful. All Rights Reserved. User Agreement, Privacy, Cookies and AdChoice Norton Secured powered by Verisign. This page requires Javascript. Modify your browser's settings to allow Javascript to execute. See your browser's documentation for specific instructions. To install your download click on the name of the downloaded file. Recommended Software File Name Date File Size Optional Software File Name Date File Size Recommended Manuals File Name Date File Size Optional Manuals File Name Date File Size The Limited International Warranty is only effective upon presentation of the warranty card and proof of purchase.

Equipment covered by this Warranty will be repaired by Canon International Warranty Members located in the United States, Canada, Australia, the United Kingdom and New Zealand WITHOUT CHARGE. List of Canon International Warranty Members included with the equipment. Equipment covered by this Warranty will be repaired by Canon International Warranty Members WITHOUT CHARGE, except for insurance, transportation and handling charges. See list of Canon International Warranty Members included with the equipment. When returning equipment for warranty service, the shipping charges must be prepaid and the equipment should be shipped in its original carton or box, or an equivalent, properly packed to withstand the hazards of shipment and be fully insured. A copy of this warranty card and proof of purchase should be enclosed, as well as a description of the problem, film samples, etc. This warranty only covers defective materials or workmanship encountered in normal use of the equipment, and does not apply in the following cases Fred Thomas Drive, P.O. Box 33336, Takapuna Auckland Canon UK Ltd. Brent Trading Centre. North Circular Road Neasden, London NW10 0JF Canon U.S.A., One Canon Park, Melville, NY 11747 The above address is not to be used for the MAILIN SERVICE program Visit the Canon Online Store Adapter EcC, EdC With three lens elements in three groups, chromatic aberration and distortion are effectively corrected to give crystalclear images. Eye fatigue is not a problem even after prolonged

use. Holds 12 Camera bodies, 34 lenses and accessories. Inside measurements W x H x D 10 x 14.75 x 5 inches. Rugged nylon, waterrepellent, urethane coated for extra durability. Wellarranged divider system for secure storage and easy access. Lightweight construction, padded shoulder straps and back for comfort. Front webbing ideal for storing a light jacket. Tripod carrying straps. Color Black with Olive. Front and Rear zippered pouches. Zippered fulllength mesh pouch inside top cover.



<https://formations.fondationmironroyer.com/en/node/8951>

Divider system for secure storage and easy access. It is designed to hold two 35mm SLR bodies, 5 8 lenses, plus film and accessories. It features a 3way pan head for precise control and smooth movement. The 3section tubular leg construction allows for exceptional stability indoors or out. The Deluxe Tripod 300 features a 3 way pan head for precise control while the 3 section tubular leg construction allows enhanced stability indoors and outdoors. The lens fits into the eyepiece holder of you EOS camera. Please see the Compatibility tab for a list of compatible EOS cameras. The Dioptic Adjustment lens fits into the eyepiece holder of the camera. Dioptic adjustment lenses are for the viewfinder eye piece. The Dioptic Adjustment lens fits into the eyepiece holder of the camera. Dioptic adjustment lenses are for the viewfinder eye piece. The lens fits into the eyepiece holder of you EOS camera. Please see the Compatibility tab for a list of compatible EOS cameras. Made from Cordura Nylon. Large Zippered Front Accessory Pocket. Zippered Mesh Pocket Inside Top Lid. Two Side Accessory Zippered Pockets. Tripod Loops on Bottom. Five Movable, Padded Internal Dividers. Two Strap Handles with Grip. Removable Shoulder Strap. Rubber Feet for Ground Protection. It features a foam grip on the top leg section, a hand strap, flip lock leg sections, and rubber leg tip. Features adjustable tripod straps, and high strength buckles for the main compartment. The Canon logo is embroidered on the top flap. Interior Padding for Cushioning. Front Zippered Accessory Pocket. Touch Fastened Closure. Shoulder Strap. Further stabilisation enhancements from lenses compatible with Dynamic IS Phase detection pixels built onto imaging sensor 1 Manual By AE lock Button in creative zone modes.

<https://cohemployeenews.com/images/brother-sewing-machine-vx-1435-manual.pdf>



ISO can be expanded to 25600 Button 1 Liveview image with exposure info 2 Liveview image with basic info 3 Liveview image with full info VariAngle Button 1 Liveview image with exposure info 2 Liveview image with basic info 3 Liveview image with full info Unprotect all images. It may not display this or other websites correctly. You should upgrade or use an alternative browser. Canon, the supposed digital imaging company only offer a photocopy for 7 quid. Canon, the supposed digital imaging company only offer a photocopy for 7 quid. Click to expand. It certainly helped me with my EOS 50e! IanCanon, the supposed digital imaging company only offer a photocopy for 7 quid. Click to expand. Canon, the supposed digital imaging company only offer a photocopy for 7 quid. Click to expand. This is a case where the Canon manual is superior in almost every way. The Magic Lantern book is only better with examples of flash. Bill JamesonThis is a case where the Canon manual is superior in almost every way. Bill Jameson Click to expand. The one that came with it, one that I downloaded and the Magic Lantern. The Canon ones are very basic and do not do any explaining of the different settings, only tell what they are. I very seldom refer to the Canon manuals. The Magic manual is much better in all aspects because it is also a narrative manual that explains why and how you can use the different settings. The only part I dont like is the flash section that deals mainly with the Canon flashes Speedlites. Because the II has so many features it takes a while to get familiar with them all. If a certain feature is not used in a while then you can go back to the Magic manual to refresh your memory. I believe that the Magic manual was worth every penny. KenIn particular the explanation on the different metering modes covers essential details that are entirely left out in the Canon manual. However I would make sure you get both.

<http://columbuscigar.com/images/brother-sewing-machines-xl-3750-manual.pdf>



DaveAfter that, you can post your question and our members will help you out. Welcome to the Photography Forums where you can ask questions or find answers on anything related to photography, cameras and techniques. You'll be able to ask photography related questions or chat with the community and help others. Canon EOS ELAN This camera manual library is for reference and historical purposes, all rights reserved. Cork guide escort, World of warcraft alterac valley guide, Masajes manual, Output method for statistical report, Pro form excersice bicycles. Reload to refresh your session. Reload to refresh your session. And by having access to our ebooks online or by storing it on your computer, you have convenient answers with Canon Eos Elan Ii Manual. To get started finding Canon Eos Elan Ii Manual, you are right to find our website which has a comprehensive collection of manuals listed. Our library is the biggest of these that have literally hundreds of thousands of different products represented. I get my most wanted eBook Many thanks If there is a survey it only takes 5 minutes, try any survey which works for you. You may download and use the Content solely for your personal, noncommercial use and at your own risks. Canon shall not be held liable for any damages whatsoever in connection with the Content, including, without limitation, indirect, consequential, exemplary or incidental damages. You shall also not and shall not let others reproduce, modify, reformat or create derivative works from the Content, in whole or in part.

<http://makaeximworld.com/wp-content/plugins/formcraft/file-upload/server/content/files/16270ddd4378c5---bovie-400-service-manual.pdf>

<BAINIHU.COM/upfiles/editor/files/company-of-heroes-ales-of-valor-manual-activation-code.pdf>

<http://www.raumboerse-luzern.ch/mieten/4-principles-manual-handling-back-care>