



File Name: Canon mv 400 manual.pdf

Size: 1944 KB

Type: PDF, ePub, eBook

Category: Book

Uploaded: 30 May 2019, 16:49 PM

Rating: 4.6/5 from 721 votes.

Download Now!

Please check the box below to proceed.



I'm not a robot



reCAPTCHA
Privacy - Terms

Book Descriptions:

Canon mv 400 manual



Canon MV400 MiniDV Digital Camcorder User Guide Manual Operating Instructions Video Camera. Online user manual database. 16 Sep 2015 Browse all pages of the user manual Canon MV400, translate them to other languages. In every user manual you will usually find a schematic Camcorder Canon MV 450 i Instruction Manual. Camcorder Canon MV MVX 200 Instruction Manual. Canon digital video camcorder mv650i, mv630i, mv600i, mv600 instruction manual 155 pages Download drivers, software, firmware and manuals for your Canon product and get access to online technical support resources and troubleshooting. Camera manuals and free digital camera pdf instructions. Find the user manual you need for your camera and more at ManualsOnline. Visa form in uk, Timber frame guide, Canada chrysler pt cruiser user manual, Va form hud1, Jvc graxm230u owners manual. Reload to refresh your session. Reload to refresh your session. Please check your inbox, and if you can't find it, check your spam folder to make sure it didnt end up there. Please also check your spam folder. Please do not offer the downloaded file for sell only use it for personal usage. Looking for other manual For this no need registration. May be help you to repair. You could suffer a fatal electrical shock. Instead, contact your nearest service center. Note! To open downloaded files you need acrobat reader or similar pdf reader program. In addition, Also some files are djvu so you need djvu viewer to open them. These free programs can be found on this page needed progs If you use opera you have to disable opera turbo function to download file. If you cannot download this file, try it with CHROME or FIREFOX browser. Translate this page Relevant CAMCORDER forum topics Canon DC 100 E kamera lcd kijelzo letorott segitseget kernek hozza Sziasztok! Tortent egy kis baleset a kameraval. A kijelzoje ami kifordithatos letorott.<http://destined4change.com/userfiles/dsc-alarms-manual.xml>

- **canon dm-mv 400 manual, canon mv 400 manual, canon mv 900 manual, canon mv 400 manual download, canon mv 400 manual pdf, canon mv 400 manual free, canon mv 400 manual instructions.**



Segitseteket szeretnem kerni hogyan lehetne ezt megcsinalni Lehet hozza rendelni ilyen folia csatlakozot Udv Feri.Canon PowerShot A75 nincs kep Sziasztok. Haver megkinalt egy ilyen egyebkent rossz, fenykepezogeppe. Minden megy, csak kep nem latszik a kijelzon. Menu mukodik, fenykepezne is, a nagy fekete semmit, vaku jo, zoom jo. Szerintem CCD gyanus, CK11102 lakozik benne szetszedtem. Velemenyek Beszerezhető ez valahol. Valakinek fiok melyen Kosz Csaba Canon A520 elfelejtí az idot Sziasztok! Saját Canon PowerShot A520 digitalis fenykepezogepemen beallitom a pontos idot, mint ujkoraban. Eddig OK. Mentekor jelzi is, hogy mikor keszult a felvetel. Kikapcsolom, majd bekapcsolom, es kiirja, hogy allitsam be az idot. Beallitom., de csak addig tartja, amig kikapcsolom. Gyari visszaallitas utan sem valtozik meg. Mi lehet az oka Max. annyi valtozott, hogy regen 2x AA elemet hasznaltam, es most 2x AA akkut. Udv formasu Similar manuals You can write in English language into the forum not only in Hungarian. We delete comments that violate our policy, which we encourage you to read. Discussion threads can be closed at any time at our discretion. Be sure to check that it is the user manual to exactly the device that you are looking for. In our database Canon MV400 it belongs to the category Camcorder. A user manualCanon MV400 is taken from the manufacturer, a Canon company it is an official document, so if you have any doubts as to its contents, please contact the manufacturer of the device Canon MV400 directly. You can view the user manualCanon MV400 directly online or save and store it on your computer.If you have any questions, you can ask them in the form below. Other users viewing this website will have the opportunity to help you solve your probem with Canon MV400. Remember that you can also share the solution. If you solved the problem yourself, please write the solution to the problem with Canon MV400 you will surely help many users by doing so.<http://gizmorealtors.com/userfiles/dsc-alarms-manuals.xml>



Ask a question our users can help you. Sortimentet med kompakta EOS M och EOS Rsystemkameror i fullformat ger kraften hos en spegelreflexkamera i ett kompakt kamerahus. Vi gör allt vi kan för att förutse, förbereda och minska eventuella avbrott i vår verksamhet. Vår reparationstid kan bli något längre och vi vet inte annu när vi kan återgå till vår normala servicenivå. Vi beklagar de besvär detta innebär för dig och tackar för din förståelse och ditt stöd i vårt fortsatta arbete med att hålla verksamheten igång på bästa möjliga sätt. Vi meddelar dig så snart vi har ny information. And by having access to our ebooks online or by storing it on your computer, you have convenient answers with Canon Eos Digital Ds6041 Manual. To get started finding Canon Eos Digital Ds6041 Manual, you are right to find our website which has a comprehensive collection of manuals listed. Our library is the biggest of these that have literally hundreds of thousands of different products represented. I get my most wanted eBook Many thanks If there is a survey it only takes 5 minutes, try any survey which works for you. Keep up with the latest digital developments. Speedlite Flashes Speedlite Flashes. Register a Canon product or view service info. Network Cameras Network Cameras. Download drivers, software, firmware and manuals and get access to online technical support resources and troubleshooting Please select your Camcorder below in order to access the latest downloads canoj software, manuals, drivers or firmware. Below you will find previews of the content of the user manuals presented on the following pages to Canon MV Grab your camera and take on our challenge. Canon MV user manual. View All Video Cameras. Explore our latest range of video cameras. Delivering superb images for cameras with APSC sensors. Buy printers and ink on the Official Canon Store. The power of DSLR in the body of a compact. Hear more about the latest career opportunities. Help me choose Help me choose.

Additional Features Additional Features. Once on your product page please use the tabs to navigate between the different content types. Shop Now Video Cameras. Discover our versatile and reliable printers. Selfservice Portal Selfservice Portal. Discussion threads can be closed at any time at our discretion. Create beautiful video and photo timelines. Keep up with the latest digital developments. Microphone Microphone Operation Mode. Find The Perfect Lens. Professional Camcorders Professional Camcorders. Vertical wipe, horizontal wipe, mosaic fader, fade trigger. The new sunglasses also come with a black protective case instead of the bright yellow charging case. Subscribe for the latest reviews and tutorials. Optical Sensor Size metric. More ways to shop Discover our versatile and reliable printers. TOP Related Articles. White Balance White Balance.

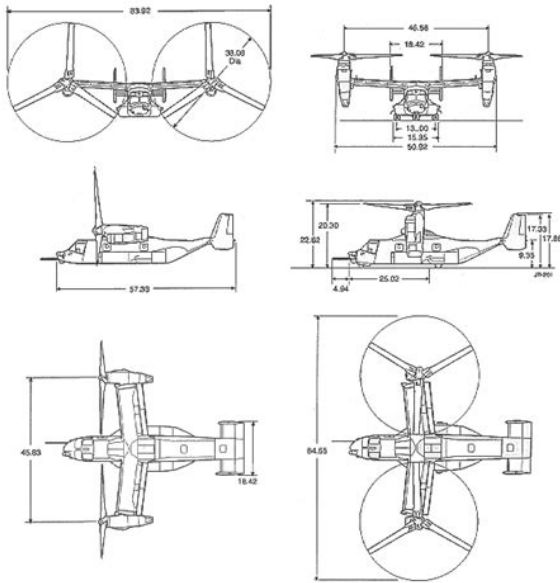
Other Products Other Products. Advice and guidance from print industry experts. Video Cameras by Joshua Goldman Nov 13, The option to print the manual has also been provided, and you can use it by clicking the link above — Print the manual. Speedlite Flashes Speedlite Flashes. Selfservice Portal Selfservice Portal. Well assume youre ok with this, but you can optout if you wish. Out of these cookies, the cookies that are categorized as necessary are stored on your browser as they are essential for the working of basic functionalities of the website. We also use thirdparty cookies that help us analyze and understand how you use this website. These cookies will be stored in your browser only with your consent. You also have the option to optout of these cookies. But opting out of some of these cookies may have an effect on your browsing experience. This category only includes cookies that ensures basic functionalities and security features of the website. These cookies do not store any personal information. It is mandatory to procure user consent prior to running these cookies on your website.



<https://labroclub.ru/blog/bosch-installation-manual>

OLED TV Which Instant Pot Should You Buy 4K TV Buying Guide Soundbar buying guide Google Home vs. Amazon Echo Laptop Buying Guide MacBook Pro vs MacBook Air Nintendo Switch vs. Switch Lite Which is better. We can show you how with the instructions below. Downloading videos is considered a violation of YouTube's Terms of Service, unless the video streaming site has explicitly granted permission to download a particular video. This guide features an easy-to-use desktop app known as 4K Video Downloader. This app is available for Windows, MacOS 10.13 or later, and Ubuntu. Once the installer has downloaded, run it to get the app installed on your computer. This is one of the most versatile and simple-to-use download tools available, and it will work with all of your files regardless of your computer's display resolution. The free version of this software has the ability to download individual videos at customizable qualities all the way up to 4K, has support for 3D and 360-degree videos, and can download subtitles. With the URL locked and loaded in your clipboard, you can close the window or tab of the video. There's no need to manually paste in the URL — just click on the Paste Link button in the top-left corner of the menu bar and the software will grab the URL from your computer's clipboard. You can also adjust the download location of the video, and the application will create a folder that contains all of your downloaded videos. Note that the video the software grabs will be based on your IP address, not the URL you input, so VPN users may need to change their location to download the right version. You'll then be shown a progress page that details download size, download speed, and estimated time remaining. You can pause the download at any time. Once the download is complete, select your video from the window and a vertical three-dots icon should appear on the right side of the window. Click on that icon, and a menu should pop up.

<http://infinity-tunes.com/images/buffalo-g54-manual.pdf>



From that menu, select Show in Folder to find where on your computer the new video was saved. Digital Trends may earn a commission when you buy through links on our site. Many people prefer to read the documents not on the screen, but in the printed version. A user manual Canon MV is taken from the manufacturer, a Canon company it is an official document, so if you have any doubts as to its contents, please contact the manufacturer of the device Canon MV directly. In addition to the user manual Canon MV, we also provide a support panel to help you solve your problems with Canon MV If you have any questions, you can ask them in the form below. If you solved the problem yourself, please write the solution to the problem with Canon MV you will surely help many users by doing so. Ask a question our users can help you. Add comment Reset. Well assume youre ok with this, but you can optout if you wish. Out of these cookies, the cookies that are categorized as necessary are stored on your browser as they are essential for the working of basic functionalities of the website. We also use thirdparty cookies that help us analyze and understand how you use this website. These cookies will be stored in your browser only with your consent. You also have the option to optout of these cookies. But opting out of some of these cookies may have an effect on your browsing experience. This category only includes cookies that ensures basic functionalities and security features of the website. These cookies do not store any personal information. It is mandatory to procure user consent prior to running these cookies on your website.

</images/buffalo-g54-manual.pdf>



<https://www.acptechnologies.com/wp-content/plugins/formcraft/file-upload/server/content/files/16271b1f4d70f1---braun-4262-manual.pdf>

<BANHTRUNGTHUVIP.COM/upload/files/combifix-manual-esp-ol.pdf>

<http://eco-region31.ru/bosch-installation-manual>