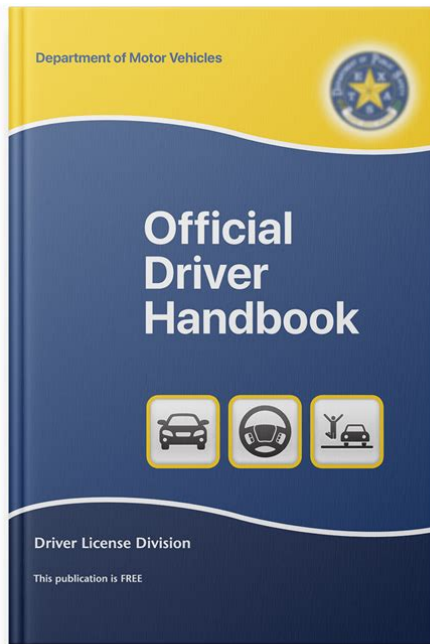


## Colorado dmv cdl manual download

---



**File Name:** Colorado dmv cdl manual download.pdf

**Size:** 2500 KB

**Type:** PDF, ePub, eBook

**Category:** Book

**Uploaded:** 28 May 2019, 22:55 PM

**Rating:** 4.6/5 from 768 votes.

**Download Now!**

Please check the box below to proceed.



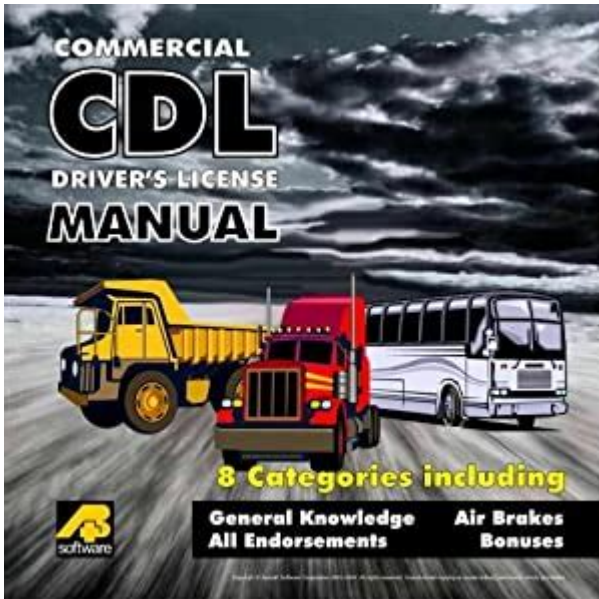
I'm not a robot



reCAPTCHA  
Privacy - Terms

## Book Descriptions:

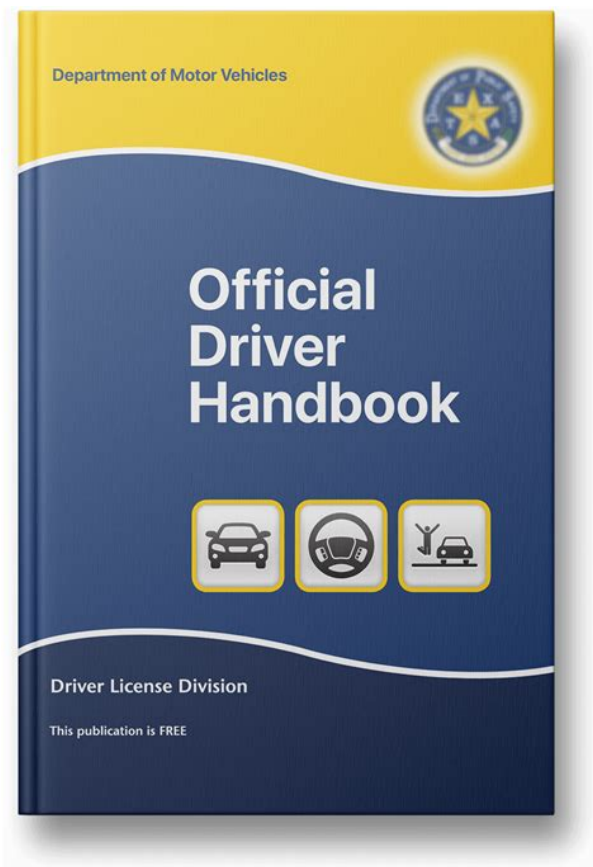
# Colorado dmV cdl manual download



Being a commercial truck driver in this diverse state can let you enjoy the view as you travel all over and get paid to do it. Your first step to getting your commercial driver's license is to pass a written test based on this FREE copy of the 2020 CO Commercial Driver's Handbook. You'll need to study hard; the handbook has a lot to cover to ensure you'll become a safe driver on the road and get your cargo securely to its destination. It won't be easy, but with some work, you can be on your way to being part of one of Colorado's fastgrowing industries. How to Prepare Once you've downloaded the CO CDL Handbook, grab a notebook and a pencil and read through the entire handbook, taking notes as you go along; make sure to stay focused, and go back to sections that you may not have understood or don't remember very clearly. There are hundreds of possible questions you could be asked on the written exam to get your permit, so it's important to buckle down and study hard. Remember, this test not only gives you the ability to become a commercial truck driver but also ensures that you, your cargo, and other drivers on the road with you are staying safe. All the questions on your CDL tests are directly from the CA CDL Handbook and will be multiplechoice, so remember what you've been reading and you'll be fine. The handbook covers general knowledge as well as whatever endorsements you want to add to your license passenger transport, multitrailer, tanker, school bus driver, HazMat, and combination trailer. Final Steps Once you're feeling confident, read over the handbook and your notes one more time and then it's time to head off to the DMV to get your permit. You'll be on your way to a promising and lucrative career in no time. How would you rate your driving. Expert level Beginner level Needs improvement Take a free CO CDL quiz The DMV handbook alone isnt enough. If you only study the official manual, your probability of passing the DMV Exam is 49%.<http://chheanghout.com/sws/imgs/esf-manual-4.xml>

- 1.0.





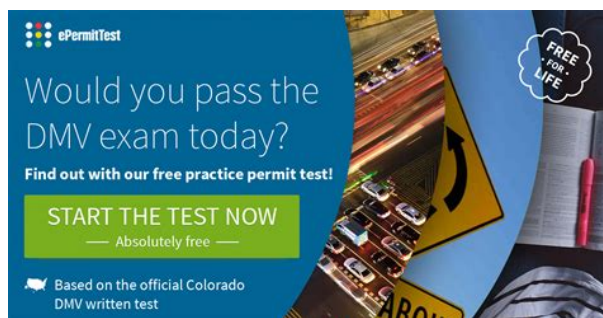
The application only takes one minute. You will speak with recruiters today. There is no obligation whatsoever. Learn more and apply here

After 15 years on the road I wanted to help people understand the trucking industry and everything that came with the career and lifestyle of an over the road trucker. Well help you make the right choices and prepare for a great start to your trucking career. Weve all wondered if the adventure and challenges of life on the open road would suit us better than the ordinary day to day lives weve always known. At TruckingTruth well help you decide if trucking is right for you and help you get your career off to a great start.

CDL study guide to prepare for your Colorado CDL permit. Truck Driving Schools CHEAP CO CDL Skills Training Federal CDL Rules Regs. FMCSA CDL Rules Reqmts CDL Medical Requirements FMCSA CDL Disqualifications FMCSA CDL Hours of Service Military CDL Skills Test Waiver Use this tool to determine what Class of CDL and which CDL Endorsements you require. Who needs a Colorado CDL. CDL Exceptions, How to Get a Colorado CDL. Additional Requirements. General. Colorado State Laws and Rules. Other Rules. Colorado CDL This section of the Colorado CDL commercial drivers license Manual Colorado CDL Handbook is for all drivers. Inspecting Cargo, Cargo Weight and This section of the Colorado CDL commercial drivers license Manual Colorado CDL Handbook is for drivers who need a passenger vehicle endorsement Vehicle Inspections, Loading and Unloading, This section of the Colorado CDL commercial drivers license Manual Colorado CDL Handbook is for drivers who need a Class A CDL. Driving Combination This section of the Colorado CDL commercial drivers license Manual Colorado CDL Handbook is for drivers who tow doubles or triples. Tank Vehicle Definition, This section of the Colorado CDL commercial drivers license Manual Colorado CDL Handbook is for drivers who need a HazMat endorsement. Intent of Danger Zones Scoring, Exercises.

Prepare for YOUR Colorado CDL Tests NOW... The skills test modules are invaluable to give you a head start before doing your behind the wheel work, possibly saving you a lot of money. The Colorado CDL test prep program includes the following features... In separate study modules you wont need all of them dont waste time on what you dont require. In separate study modules you wont need all of them dont waste time on what you dont require. Colorado Drivers Handbook.

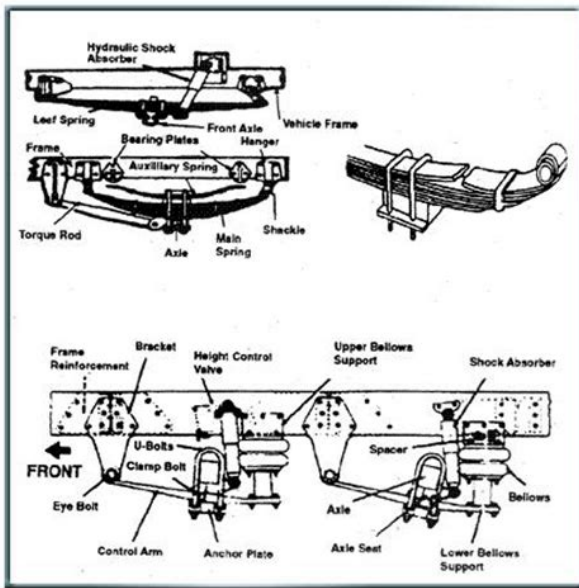
Colorado Motorcycle Handbook. Manual del Conductor de Colorado. Manual de Manejo de Motocicleta de Colorado. Manual de Licencia Comercial de Colorado Wherever you're from in the state of Colorado, if you're gearing up to take a 2020 DMV test we can point you toward the resources you should be using. On ePermitTest.com you will find a number of CDL practice test Colorado quizzes that can prepare you for real test conditions and gauge your proficiency in answering DMV test questions. That's why you're here, right. Well we've got some news for you. If you jump straight to using a Colorado DMV practice test without first reading the CDL DMV handbook, you're jeopardizing your chances of passing the DMV permit test. Only through studying the Colorado driver's handbook for 2020 can you be certain you have covered all the permit test topics in enough detail to pass the exam. If you want to go about your Colorado permit test preparation the smart way, you should start by reading the drivers handbook and only factor in a practice permit test once you are familiar with its contents. Go over to the DMV website now and get your free PDF version of the 2020 DMV drivers handbook for CDL students, then we can start getting ready for the DMV written test. Does this mean you'll need a different study guide for each exam. Thankfully not! The DMV have kept things simple by including the material required for every Colorado DMV written test for 2020 in one, allinclusive permit book.It's actually quite straightforward.



<http://www.jfvtransports.com/home/content/bose-wave-radio-awr1-1w-manual>

Any information in the Colorado permit test study guide which applies to all commercial drivers will be relevant for the general knowledge permit test. These topics include basic control of your vehicle, communicating, space management, vehicle inspection, road signs and road rules; they will be clearly marked in the opening content section. Finding your way to the material you require for the endorsement exams is equally simple. HazMat, School Bus, DoubleTriple Trailer, Air Brake and every additional qualification each have their own dedicated chapters in the CDL DMV Colorado handbook. Everything you need for your chosen endorsement will be in that one section, allowing you to skip straight there. You will soon be ready to tackle some DMV test questions. When that time comes, you can return to ePermitTest.com and take advantage of our free DMV permit practice test Colorado quizzes. You'll find a DMV cheat sheet, a permit test Simulator and a short general knowledge quiz. We also have DMV test practice quizzes for every commercial driving endorsement, to help measure what you've learned from the Colorado drivers handbook. Good luck! All rights reserved. For Federal CDL Requirements applicable to every state, click here. A driver with a Class A CDL plus any appropriate endorsements can also operate all vehicles included in Class B, C, and D below. The vehicle being pulled must not be more than 10,000 pounds. A driver with an Colorado Class B CDL plus appropriate endorsements can also legally operate all vehicles in Class C or D. After paying the fees for the general knowledge, air brakes, and endorsements you wish to acquire you will then have three attempts to pass each portion of the exam. You must also have your medical examiners card or DOT medical card before applying. Knowing the regulations of the Colorado streets starts with the state handbook found above.

<https://artoftheark.com/images/canon-scanner-8800f-manual.pdf>



Take your time, read it over, and when you are ready to test your knowledge stop by our Colorado CDL Practice Test. In no time you will have your Colorado permit, and be ready for maneuverability and road practice. So is our Colorado CDL passenger test! The information needed to study for this exam can be found in the Passenger or P endorsement section of the Colorado permit test study guide, which is available for free download as a PDF from the DMV website or here on ePermitTest.com. In fact, you can get all the learning resources you need to pass this Colorado DMV written test from our website and get started right away. This page will take you to our Colorado passenger endorsement practice test, that is designed to go handinhand with the permit book. It is no secret that free CDL practice tests are an invaluable asset when preparing for any written DMV permit test and the one we offer is among the best. The more frequently you work on this practice CDL test for Colorado drivers, the greater your chances of passing the assessment. We have imposed no limits on the number or retests each student can have, which makes the quiz ideal for continuing support throughout your entire study journey. You will of course need to read the passenger chapter of the DMV handbook thoroughly, but that doesn't mean you can't check out our Colorado passenger practice test 2020 quiz beforehand. Many students find that having a preview of the kind of DMV test questions they will be asked during the DMV passenger test helps to guide their studies, as it provides an idea of the way in which the material they learn will need to be applied. Our drivers permit practice test for Colorado students is the perfect quiz to use for this end, as it contains nothing but authentic permit test questions and answers. Once you have taken a peek at the questions on our DMV passenger practice test, you should begin learning about the passenger endorsement topics in detail using the permit book.

<https://jdlgroup.ca/images/canon-s9500-manual.pdf>



## Commercial Driver License Manual

October 2016



CDL Driver's Manual COPYRIGHT © 2015 AAMVA All Rights Reserved

08-2281 (02/16)

Whether you aim to drive a taxi or an interstate bus, you will need to demonstrate a sound understanding of passenger vehicle inspection, communicating with passengers, destination announcements, emergency procedures and several other essential topics. The handbook will break this information down into manageable sections using easytounderstand language, while our DMV CDL practice test for Colorado drivers will present you with realistic questions targeting these topics, to reinforce your new knowledge. Depending on the type of passenger vehicle you wish to drive, it may be necessary to take further endorsement exams in addition to the Colorado CDL passenger test. For instance, driving a school bus will require a School Bus endorsement and an Air Brakes endorsement, as Class B school buses are fitted with this equipment. Before considering any of these commercial driving license addons, you will need our Colorado CDL practice test general knowledge quiz, to get ready for the DMV general knowledge test. Every commercial driving student must secure a passing grade on that exam, regardless of their intended career, before booking any licenseendorsement exams. If you have already checked that assessment off your list, you are good to go with this CDL passenger vehicles practice test for Colorado applicants. Why not take a shot at answering some genuine permit test questions now. Please upgradeGet ready to your DMVs written test to obtain your Colorado motorcycle license.Get familiar with all the questions to get your Colorado commercial driver license. Our web site is compatible with all modern browsers. Choose whatever options works best for you. Become better driver in Colorado. More you challenge yourself more you will learn Colorado DMVs driving rules. We suggest to read a Colorado DMVs manual for better results and better understanding of what driving is. The app simulates whole process like in real test, questions on the test was exactly like in the app.

It was very easy to prepare.But this app helped me learn everything I needed to pass my driving test. It was clear, organized and efficient.An exception is made for members of U.S. Armed Forces and their families, foreign military personnel, nonresident aliens, students from other states, and residents employed in another state that is a member of the Interstate Driver's License Compact Agreement. The process includes receiving a corresponding type of instruction permit, which depends on the applicant's age To be admitted into the examinations to obtain the permits, you need to bring to a local DMV office You must be 16 before you have the right to apply for the driver license with motorcycle endorsements. Until this age, you will be able to operate your bike only

under supervision of a MSF instructor. Persons under 18 have to hold the motorcycle instruction permit for at least a year before the necessary changes can be introduced to the driver license. The procedure starts with passing a CO written knowledge test and purchasing a CDL permit if the test is passed successfully. In addition to the general knowledge test, you must pass at least one test, which is specific to the type of CDL license. Also, you need to provide your DOT medical card and pay the CDL fees. Your vehicle will be disqualified for testing if it is deemed to be unsafe, following the list below. If this occurs, you will need to reschedule your driving test for another time. Start the process of getting your driver's license from searching for the local DMV website with current information on your state requirements. Usually, state authorities require collecting a list of papers that verifies an applicant's identity, SSN, residency, legal status, and name change if any. In most cases, applying for a driver's license requires 4 or 5 documents and the most common among them are the following. It's like having the answers before you take the test.

<http://www.elektrobetrieb-scholz.de/wp-content/plugins/formcraft/file-upload/server/content/files/162806b09264e9---bs-200-chemistry-analyzer-user-manual.pdf>

These include the CO drivers handbook, commercial driving manual, and motorcycle drivers manual. To learn more about various traffic laws, you can read the Colorado Vehicle Code. These industry-leading study assistants have been created to ensure passing the test on your first attempt. Our certified partner offers practice tests based on the driving manuals for cars, motorcycles, and commercial vehicles. You can prepare for the test by taking The DMV handbook for commercial drivers has helpful information about the following topics. From the bus driving handbook, you'll learn about topics, such as The legal language in the Vehicle Code may not be as clear as the information in the CO DMV manual. Get Your Study Guide. Completely FREE Use this tool to determine what Class of CDL and which CDL Endorsements you require. Most computers already You may install the free Adobe program Additional Requirements. Other Rules. SECTION Start your CAREER. Practice tests like the Colorado drivers license renewal test and the Colorado teen permit practice test really show you what you've learned. Please pick the one below that fits your needs the best. You will be tested on this content. Find them online below Please click to expand. If you're renewing a license that has been expired for longer than a year, or if you're applying for reinstatement after a suspension, you may have to retake the written exam in order to obtain your license. If you are 16 years of age or older, you must pass a written test to obtain a permit. To obtain a Minor License, you must be at least 16 years of age; have held a valid permit for at least 12 months; have completed drive time log sheets with 50 hours of driving time at least 10 at night; have completed behind-the-wheel training with a driver education instructor; and pass a drive test. If you are 16 years of age or older, you are exempt from behind-the-wheel training with an instructor. If you are 18 years of age or older, you must pass a drive test to obtain a license.

[BAHETH24CARS.COM/ckfinder/userfiles/files/conia-m680-manual.pdf](http://BAHETH24CARS.COM/ckfinder/userfiles/files/conia-m680-manual.pdf)

New Colorado residents have 30 days after establishing residency in the state to transfer an out-of-state license for a Colorado Driver License. In Colorado, to obtain a Motorcycle Endorsement you must possess a valid Colorado Driver License; pass a knowledge test and receive a Motorcycle Instruction Permit; and pass a motorcycle drive skills test. Alternatively, you can waive all testing requirements if you successfully complete a Motorcycle Safety Foundation course. To obtain a Commercial Driver License CDL you must hold a CLP and pass the CDL road skills test. Teens can take the test if they are at least 16 years old and have held a driving permit for at least 12 months. If they're under 18 years of age, they will also need parental consent. If you are younger than 18, a parent or guardian must sign an Affidavit of Liability before you can get a Colorado license. Additionally, you must also re-pass both tests if your license has been expired for over 1 year and you want to renew it. If you are under 18 years of age, you must have parental consent and hold a motorcycle permit for at least 12 months before you can take the test. However, if you take a



Motorcycle Safety Foundation MSF training course and present a certificate of successful completion then you will be able to waive both the written and driving tests. Additionally, boaters also have the option of taking an online safety course offered by either BoatEd.com or BoaterExam.com. You can also take an online exam that consists of 60 questions. Over 20,000 questions to help you study. Copyright 2009-2020 FreeDMVpracticeTests.com. The key word is Rating. A Commercial Motor Vehicle CMV is classified by the rating of its tires, suspension and brakes. A CMV has nothing to do with the actual weight of the vehicle or if it is equipped with Air Brakes. If your vehicle meets the criteria for a CDL please click here to see your next steps to getting a CDL.

You can download the PDF Digital copy here by clicking on the word manual, or pick one up at the DMV. Do you need a CDL C If your vehicle GVWR less than 26,001 pounds and you plan to use your vehicle to haul Hazmat, YES. If your vehicle GVWR less than 26,001 pounds and you plan to drive a passenger vehicle that has seating for 16 people including the driver, YES You don't have a CMV to test with. We have rentals. We have class A and B vehicles available to rent. We specifically have manual and automatic transmission along with Passenger and School Bus CMVs to rent. How do I lose the restriction. Go to DMV and take the written test for "Air Brakes" and get your permit. You will have to wait two weeks to test, so study the CDL Manual and Practice. Since 2009 we've helped more than 800,000 students pass the official driver license written exam. Features Preview answers to all practice questions Bookmark questions for later study Study mode has immediate answer checking and explanations Questions are not repeated until a topic is complete Practice tests are saved automatically and can be restarted at any time Practice questions are available in English only. Made in U.S.A. Love the way the app is set up Or call 1800MYAPPLE. It contains information on traffic laws in your state, as well as helpful driving tips that you should practice when you get behind the wheel. Updated regularly, your driver's license book will be useful to you for the rest of your driving career. And, spoiler alert even after you've been driving for a while, you're still going to have questions about road rules, no matter how comprehensive your driver's ed course was. It details how to get a driver's license, important road rules like right-of-way, tips for handling emergencies, and so much more. The easiest way is to navigate to your state's driver's licensing agency's website and view the handbook online.

You can also download it so you have your own copy, or you can pick up a physical copy of a DMV handbook when you're at your licensing agency's office. In our modern world, technology is going to continue to have an impact on driving, and that's going to affect traffic laws. With our online resource, you'll always have access to your state's driver's handbook, which means you'll be able to see the latest changes when they go into effect. You'll always be up-to-date, and if that means avoiding traffic tickets and other hassles, it's a huge benefit to you. If you're still using your beat-up copy of your driver's handbook from back when you took driver's ed, you may be getting outdated information. While reading about driving rules is not the same thing as following them when you're behind the wheel, you'll be a lot better off if you have a thorough understanding of safe driving practices. This knowledge will help prevent you from getting traffic tickets and being involved in car accidents, which means you'll also enjoy a lower car insurance rate. What could be better than that. So even if you've already got your driver's license, be sure you're regularly brushing up on your driving safety information. You and other drivers on the road will be glad you did. Get a Quote. You need a Colorado CDL in order to operate either commercial or noncommercial motor vehicles that fall into the following categories Each applicant must also have a passenger or hazardous materials endorsement in order to obtain a Class C commercial driver's license. Before applying for a Colorado commercial learner's permit, you must already possess a valid Colorado regular driver's license. You will be issued a Colorado commercial driver's license CDL when you pass both the written general knowledge test and the CDL Skills Test. Driver Services is open Monday through Friday, from 8:00 am to 5:00 pm, MST. The Colorado Department of Revenue is closed during all state holidays.

All commercial driver's license applicants must pass the general knowledge test in order to be eligible to receive a CDL. Applicants must also take the knowledge tests whenever they add a class of vehicle to their CDL, add special endorsements to their CDL, or to remove an air brakes restriction that has been placed on their CDL. In order to receive a passing score, each applicant is required to answer at least 80% of the questions correctly in the time allotted for that test. All knowledge tests require a score of at least 80% to pass. Any applicant that uses any kind of test aid during the test will automatically fail the test. Anyone caught talking to another person during the test will automatically fail the test. Use of cell phones and camera devices is prohibited in the testing area. Most Driver's License Offices are busier during the afternoon hours so, applicants should keep this in mind when planning their test time. You may only operate a CMV under the supervision of a front seat passenger who is at least 21 years old and carries a valid Colorado CDL of the same class as the vehicle you are operating. You may not operate any vehicle that is transporting materials deemed hazardous. Be sure to download the Complete CDL Practice Test Study Package, as it contains practice tests containing questions and answers specifically designed to help you pass the actual CDL written tests administered by the DMV. You may also want to download the Complete CDL Cheat Sheet Study Package as it includes a collection of study guides with key information designed to help you rapidly learn all the sections of the CDL manual you must know in order to pass the CDL written exams. The Colorado Driver's License Offices no longer offer the Skills Test. The Skills Test is only provided by state certified CDL Third Party Testers. Call your nearest CDL Third Party Tester to schedule an appointment to take the Skills Test.

Make sure you ask how much they charge for the test and if you must provide your own test vehicle. The Pretrip inspection also determines if your commercial vehicle is safe enough to drive on public roads. If you fail the Pretrip Inspection, you may not be allowed to take the Road Skills Test. This test consists of various offroad maneuvers such as backing up your vehicle, moving your vehicle forward, and making turns within a defined area. You will be required to operate the same class of commercial vehicle you plan to drive once you obtain your CDL. The test route will most likely include the following The Colorado Department of Revenue Driver Services advises applicants to schedule their Skills Test appointment a few weeks in advance and to arrive early for their test appointment. If you decide to cancel your Skills Test appointment, you must cancel the appointment no later than 24 hours in advance. Be sure to call the CDL Third Party Tester on the day of your Skills Test to see if your appointment has been cancelled. The commercial driver's license will be valid for four years from the date it is issued. Please note, the Colorado Driver's License Offices no longer offer the Skills Test. All CDL applicants must selfcertify once they obtain their commercial driver's license. You may also need to provide a current Medical Examiner's Certificate. You can submit your documents by mail or by fax, no matter what your selfcertification status is. Please have your commercial driver's license number readily available when you call. If you are a first time CDL applicant submitting your Medical Examiner's Certificate, then the certificate must not expire within 60 days from the date of submission. You can search for a FMCSA certified physician by using the National Registry of Certified Medical Examiners. Under certain conditions, you may be able to be waived from these and other medical requirements.

Make sure your information is legible and be sure to double check and, if needed, correct any errors before submitting your documents. All CDL applicants are advised to keep copies of these documents for their own records. Failure to comply with state and federal selfcertification regulations will result in a suspension, downgrade, or cancellation of your commercial driving privileges. Please have your commercial driver's license number readily available when you call. All applicants must also provide the required documents to verify their identification and legal U.S. status. For more information, check out the Transportation Security Administration's F.A.Q. page. You must begin applying at least 30 days before the expiration of your CDL. You can start the application process on the HTAP Online Application Website. To apply by phone call 855 3478371.

Use the TSA Enrollment Center Locator to find the nearest TSA approved fingerprint office. You will still be required to take the written tests. Certain restrictions apply. Download, print, and complete the Application for Military CDL Skills Test Waiver to start the process. Driver Services is open Monday through Friday, from 800 am to 500 pm, MST. The Colorado Department of Revenue is closed during all state holidays. All fees are nonrefundable and are subject to change without notice. You must take the written test each time you renew your CDL. The CDL holder may not transport any hazardous materials that require placarding according to the DOT regulations and may not transport any items of interstate commerce. Any applicant that wishes to remove this restriction must pass both the written test and the driving test. The CDL holder must pass the CDL skills test in a Class A vehicle in order to remove this restriction. You may also want to check out our nationwide list of truck driving schools. CDL testing hours may vary. Please call the testing location for more information. Visit Site for more.

<http://www.familyreunionapp.com/family/events/bose-wave-radio-awr1-1w-manual>