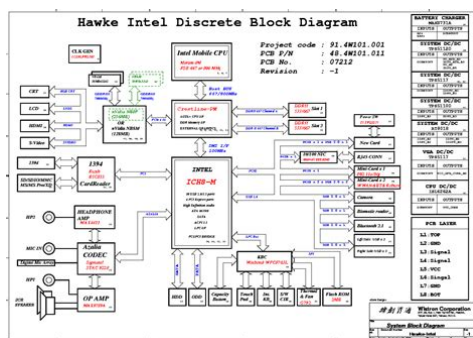


Dell Xps M1530 Manual Service



File Name: Dell Xps M1530 Manual Service.pdf

Size: 2397 KB

Type: PDF, ePub, eBook

Category: Book

Uploaded: 8 May 2019, 21:41 PM

Rating: 4.6/5 from 743 votes.

Status: AVAILABLE

Last checked: 14 Minutes ago!

In order to read or download Dell Xps M1530 Manual Service ebook, you need to create a FREE account.

[**Download Now!**](#)

eBook includes PDF, ePub and Kindle version

[Register a free 1 month Trial Account.](#)

[Download as many books as you like \(Personal use\)](#)

[Cancel the membership at any time if not satisfied.](#)

[Join Over 80000 Happy Readers](#)

Book Descriptions:

We have made it easy for you to find a PDF Ebooks without any digging. And by having access to our ebooks online or by storing it on your computer, you have convenient answers with Dell Xps M1530 Manual Service . To get started finding Dell Xps M1530 Manual Service , you are right to find our website which has a comprehensive collection of manuals listed.

Our library is the biggest of these that have literally hundreds of thousands of different products represented.



Book Descriptions:

Dell Xps M1530 Manual Service

We are a trusted supplier to 1000s of schools, government agencies, military and repair shops worldwide. Send your laptop to the Dell Experts! PartsPeople began as a small company 17 years ago in an extra bedroom of my house. I had saved a small sum of money to purchase some computer parts and began selling them on eBay. After a few months I realized that people needed a place to go for Dell parts so I began building our website. Since we are located in Austin, Texas, where Dell.com was founded, I was able to set up a solid supply line with Dell. From the start, we focused on customer satisfaction and selling quality parts. We have grown a lot since 2002 but still and always the customer will come first. You will find that we go above and beyond with every order and offer free resources and support before and after the sale. These Dell repair manuals for the Dell XPS M1530 notebooks are designed to teach you how to install and replace Dell parts that you have purchased from PartsPeople.com. Feel free to ask questions or request new tutorials. This will take you set by set through the complete installation and replacement process. The only tools needed is a small phillips head screw driver and a small flat head screw driver. This will take you set by set through the complete installation and replacement process. The only tools needed is a small phillips head screw driver and a small flat head screw driver. This will take you set by set through the complete installation and replacement process. The only tools needed is a small phillips head screw driver and a small flat head screw driver. This will take you set by set through the complete installation and replacement process. The only tools needed is a small phillips head screw driver and a small flat head screw driver. This will take you set by set through the complete installation and replacement process. The only tools needed is a small phillips head screw driver and a small flat head screw driver. This will take you set by set through the complete installation and replacement process. The only tools needed is a small phillips head screw driver and a small flat head screw driver. <http://iucecb.com/files/installing-manual-choke-on-edelbrock-carb.xml>

- **dell xps m1530 service manual, dell xps m1530 manual service, dell xps m1530 manual service manual, dell xps m1530 manual service download, dell xps m1530 manual service center, dell xps m1530 manual services, dell xps m1530 service manual.**

This will take you set by set through the complete installation and replacement process. The only tools needed is a small phillips head screw driver and a small flat head screw driver. This will take you set by set through the complete installation and replacement process. The only tools needed is a small phillips head screw driver and a small flat head screw driver. This will take you set by set through the complete installation and replacement process. The only tools needed is a small phillips head screw driver and a small flat head screw driver. This will take you set by set through the complete installation and replacement process. The only tools needed is a small phillips head screw driver and a small flat head screw driver. This will take you set by set through the complete installation and replacement process. The only tools needed is a small phillips head screw driver and a small flat head screw driver. The only tools needed is a small phillips head screw driver and a small flat head screw driver. This will take you set by set through the complete installation and replacement process. The only tools needed is a small phillips head screw driver and a small flat head screw driver. This will take you set by set through the complete installation and replacement process. The only tools needed is a small phillips head screw driver and a small flat head screw driver. This will take you set by set through the complete installation and replacement process. The only tools needed is a small phillips head screw driver and a small flat head screw driver. You might not need every tool for every procedure. It is a mix between the Dell M1330 and M1730 though it more similar to the M1330. The difference is that the display is 15.4 inches rather than 13.3 and comes in four different colors. To better differentiate the models such as the M1330 look at the back panel where it will have a sticker that reads XPS in big letters and next to that the

model type. Additionally, if the sticker on the back is faded or torn off inspect the size of the computer. The M1530 has a rear width of 1.3 inches tapering down to 1 inch in the front. <http://magnachip.com/userfiles/20201205205708.xml>

This can be easily replaced by removing the old battery using the release latch and inserting the new battery. Memory Most US models do not allow the memory to pass 4GB RAM, however depending on the year of your model it can have up to 8GB RAM. Models that go up to 8GB were sold after November of 2009. To acquire the max memory for this device you can upgrade to 4GB RAM using offtek Memory upgrade or 8GB with a later version using 8GB RAM by Team. Discover everything Scribd has to offer, including books and audiobooks from major publishers. Start Free Trial Cancel anytime. Report this Document Download Now Save Save DELL XPS M1530 SERVICE MANUAL For Later 0 ratings 0% found this document useful 0 votes 126 views 60 pages DELL XPS M1530 SERVICE MANUAL Uploaded by chamaidisv Description NOTEBOOK COMPUTER SERVICE MANUAL Full description Save Save DELL XPS M1530 SERVICE MANUAL For Later 0% 0% found this document useful, Mark this document as useful 0% 0% found this document not useful, Mark this document as not useful Embed Share Print Download Now Jump to Page You are on page 1 of 60 Search inside document Browse Books Site Directory Site Language English Change Language English Change Language. Please choose a different delivery location. Our payment security system encrypts your information during transmission. We don't share your credit card details with thirdparty sellers, and we don't sell your information to others. Used GoodPlease try again. Please try again. Please try again later. Register a free business account Please try your search again later. To calculate the overall star rating and percentage breakdown by star, we don't use a simple average. Instead, our system considers things like how recent a review is and if the reviewer bought the item on Amazon. It also analyzes reviews to verify trustworthiness. All rights reserved. Dell disclaims proprietary interest in the marks and names of others. Wszelkie prawa zastrzezone.

Firma Dell nie rosci sobie praw wlasnoscii do znakow towarowych i nazw towarowych innych firm. Jesli drukowany Podrecznik wlasciciela nie jest dostepny, mozna kliknac ikone Documentation and Support Dokumentacja i pomoc techniczna na pulpicie albo przejsc do witryny support.dell.com. It may not display this or other websites correctly. You should upgrade or use an alternative browser. What about Broadcom 59XXClick to expand. I am finding alot of Xp drivers of those devices on Dell as well. Click to expand. Please do not offer the downloaded file for sell only use it for personal usage. Looking for other manual For this no need registration. May be help you to repair. You could suffer a fatal electrical shock. Instead, contact your nearest service center. Note! To open downloaded files you need acrobat reader or similar pdf reader program. In addition, Also some files are djvu so you need djvu viewer to open them. These free programs can be found on this page needed progs If you use opera you have to disable opera turbo function to download file. If you cannot download this file, try it with CHROME or FIREFOX browser. Translate this page Relevant NOTEBOOKPC forum topics Dell 1525 PP29l kapcsolasi rajz megoldodott Sziasztok. Keresem a fenti notenbook alaplappjanak kapcsolasi rajzat. Panel tipus072113. DS2 Intel. Elore is Koszonom. Udv. Gabor. Megvan ne keressetek.! Dell latitude d620 PP18L laptop kijelzo nem ad kepet alaplappcserevel megoldva Udvozletem Mindenkinnek! A fent nevezett laptop kulso monitorral uzemel, de a saját kijelzojenek meg a vilagitasa sem megy. A komplett invrter panelt kicsereltem, de minden maradt a regiben. Esetleg lenne valakinek valami otlete a hiba mibenletemben. A segitseget elore is koszonom. Im a looking for the schematic of the motherboard ADM70 LAC632 Rev 1.0. Can someone help me Thank you. Dell latitude D505 BIOS HDD password eltavolitas. Sziaszto! Lenne egy Dell Latitude D505 ami folyamatos kerii a jelszot a ha bent van a winchester.

<http://www.drupalitalia.org/node/76715>

Ha ki van veve akkor nem. Szoval ez olyan mintha a vinyo lenne lejelszavazva. De csak a biosba belepeskor. Probaltam azt a megoldast, hogy a 24cXX eprom 3as es 6os labat kikapcsolt allapotban

összezarom majd indítas. Ahogy ezt egy két oldalon is neztém, de semmi valótás. Szerintetek Esetleg valami más megoldás Koszonom. Similar manuals You can write in English language into the forum not only in Hungarian. Please help improve it or discuss these issues on the talk page. Learn how and when to remove these template messages Please update this article to reflect recent events or newly available information. January 2018 Please help to improve this article by introducing more precise citations. December 2008 Learn how and when to remove this template message Gateway was number one in the highend consumer market. In early 1993, there was a staff meeting to address how to pursue this emerging market. At this meeting, it was decided to launch a new highend product line to compete with Gateway. Vernon Weiss was assigned as product manager to spearhead and manage the marketing of the new product. He worked with Brian Zucker who led the architecture and engineering effort. In September 1993, the first two versions of the XPS line were announced. The first generation of the XPS system was available as either a desktop or a tower case. The XPS mainly competes against computers such as Acer's Aspire, HP's Pavilion and Envy, Lenovo's IdeaPad, Samsung's Sens and Toshiba's Satellite. In 2005 Dell revamped the XPS line to compete with Alienware now owned by Dell and Falcon Northwest. Consumer notebooks were also separated into two lines Inspiron and XPS. While the XPS designation used to mean the hardware was highend and well suited for gaming, that is no longer the case. For example, the XPS 200 is limited to extremely lowend video cards, while the XPS M140 is only configurable with Intel video, thus making both systems unsuited for gaming or highend usage.

<http://www.learningbydoinglingue.com/images/Creating-A-Customer-Service-Manual.pdf>

Three systems were introduced the XPS Tower, XPS Tower VR, and the XPS Tower Special Edition. It is designed for moderate to heavy gaming and highend workstation performance. It features Intel's 6th generation Skylake i5 and i7 CPUs on an LGA 1151 socket. It also includes an upgrade to higher bandwidth DDR4 memory. It was designed for moderate to heavy gaming and highend workstation performance. It features a Dell 0KWVT8 motherboard with an LGA1150 socket. It comes with a quadcore Intel Core i7 processor and an Nvidia GeForce GTX 660. A special edition is available with an AMD Radeon R9 270. There are dust particles trapped between the screen and the touch panel. Some buyers even received several exchanges or screens replacements and the issue still remains. Some people may not notice but turning the brightness up will show these spots. They look like dead pixels. This is a PC with performance somewhat between the XPS 420 and 630. Its processor is the Intel Core i7. The current Studio XPS models, however, are not as gamer oriented, with only one PCIe x16 slot and a 475 watt power supply. The 20inch model has an Intel Core 2 Duo E4500, while the 24inch model has an Intel Core 2 Quad Q8200. The XPS One 20 has integrated Intel GMA 3100 graphics, while the XPS One 24 has integrated Intel GMA X4500HD graphics, and can be customized with an nVidia GeForce 9600M GT graphics card when chosen with PRODUCT RED. The 20inch model has integrated High Definition Audio and 10 watt stereo speakers, while the 24inch model has SoundBlaster Audigy HD software with 25 watt premium JBL speakers with an integrated subwoofer. The XPS One 20 and XPS One 24 were subsequently discontinued by Dell. It is an allinone computer that also functions as a large tablet. It contained an Intel Pentium II Klamath CPU, EDO DRAM, and an i440FX chipset. It contained an Intel Pentium II Klamath CPU, SDRAM, and an i440LX chipset. It contained an Intel Pentium II Deschutes CPU, SDRAM, and an i440BX chipset.

<http://mypizzaoven.com/images/Creating-A-Board-Of-Directors-Manual.pdf>

It contained an Intel Pentium III CPU, SDRAM, and an i440BX chipset. It contained an Intel Pentium III CPU, 128 MB of RDRAM, an ATi RAGE graphics card, and an i820 chipset. It was replaced by the XPS 210, which is nearly identical to its predecessor. The main exception in this case is the upgrade to an Intel Core 2 Duo processor and other minor adjustments. It does not use fullsize PCI slots. The XPS 200 is aimed at being a lowimpact machine, meaning it blends in better with the room's features. It is more of a multimedia computer than an actual gaming machine, despite the XPS

name. The main difference between the XPS 210 and its predecessor, the XPS 200, is the upgrade to the Intel Core 2 Duo processor line. This makes the XPS 210 faster than the XPS 200. It was replaced by the XPS 410, which is nearly identical with the exception of an optional Intel Core 2 Duo processor and slightly different audio and video card options. It features a base configuration of an Intel Core 2 Duo processor, and a 2.4 GHz Core 2 Quad is also available as an option. Other base options include the Nvidia GeForce 7300LE, 7200RPM SATA 300 hard drive, and dualchannel DDR2 RAM. The case is nearly identical to that of the Dimension E520, with an additional 3.5inch drive bay being added. The case is physically taller because of this. The power supply is also slightly more powerful than the Dimension E520 375 W vs 305 W, respectively and has an added 6 pin PCIe power cable. The XPS 410 replaced the XPS 400. It was replaced by the XPS 420. XPS 410 units were also sold as the Dimension 9200, allowing Dell to continue selling remaining units after the XPS 410 was discontinued. This was Dells media based computer featuring the Dell Xcelerator a simple and effective Video Recorder, and an LCD screen in the case, running Windows Vista SideShow. As usual with the 4XX Line of XPSs, it did not allow for SLI Graphics.

The systems motherboard used Intels X58 chipset, allowing for 3 memory channels over 6 available DIMM slots. The XPS 435T is able to support Westmerebased Core i7 and Xeon processors supporting up to 6 cores with the latest BIOS update. Unlike the 435T, the 435MTs BIOS was never updated to support Westmerebased Core i7 or Xeon chips. The motherboard is a variation of the MSI 7591 MicroATX. This case has not changed significantly over the past several generations, with the large aluminum plate on the front. Discontinued a few days after XPS 700 launch and succeeded by the XPS 700. There is no physical differences between the 630 and the 630i. BIOS updates were issued to patch the constant HDD LED activity. Some 630i owners have bypassed the aforementioned problems by swapping out the Dellmodified 650i motherboard with OEM motherboards such as the EVGA nForce 780i SLI FTW. The motherboard has 8 lanes wired for each PCIe slot, which can restrict performance if using a single highperformance graphics card. Performance is equivalent to other systems with 650i chipset motherboards when using two graphics cards in SLI mode. This desktop was advertised as being overclockable but was not. Dell would later offer a free XPS 720 motherboard upgrade program to all XPS 700 and 710 owners so that these machines could be overclocked with the bios. The XPS 700 used significantly larger power supplies 750 watt and 1 kilowatt than the other XPS models to accommodate higherend video cards and overclocked CPUs. Unlike its forerunners, it used a BTX motherboard, thereby limiting upgradability. Other features include dual nVidia GeForce 7950 GX2 in Quad SLI mode, 7200RPM SATA hard drive, dualchannel DDR2 RAM. The XPS 710 uses significantly larger power supplies than the other XPS models to accommodate higherend video cards and overclocked CPUs. It was replaced by the XPS 720. The XPS 720 H2C uses slightly higher quality parts than other XPS classes.

At the time it was one of the most powerful and fastest prebuilt systems an individual could purchase by a significant margin. The basic model specs of the PC were Intel Core 2 Extreme Processor QX9650 3.46 GHz Overclocked, DUAL 1 GB ATI Radeon 3870 X2 Crossfire X Graphics Card, 2 GB Memory, 1 TB 7200rpm Dual HDD. This has since been replaced by the XPS 730x see above. The XPS 730X H2C was the higherend version of the 730X that made use of H2Ceramic cooling and often shipped with factoryoverclocked Core i7 Extreme Edition processors. The 730X also integrates Alienware s AlienFX and a new theatre lighting system. The internals of the 730X have also been redone for ease of upgrades, although most of the inside remains the same. The 730X supported a TriChannel of 6 GB of DDR3. The graphics card support was either a dual or single NVIDIA Geforce GTX 285, or a single ATI Radeon HD 4870 X2. The 730X originally shipped with Windows Vista, but eventually offered Windows 7 near the end of its availability. Dell internally discontinued the XPS 730X and XPS 730X H2C in its US online store on August 1, 2009 and cancelled any remaining orders after August 15, 2009. It has been mentioned that this was done to focus more attention for customers seeking gaming computers, such as Alienware. The desktop was officially discontinued on

September 17, 2009 see Dell XPS 730x .The three new laptops, released in October 2010, have many new features and specifications from the old models. They feature JBL speakers with Waves MaxxAudio 3 technology, and have integrated 3D graphics. The line is the first to be Skype certified for video chat. They have Intel i5 and i7 processors.It features an 11.6inch screen that can be folded backwards almost 360 degrees to act as a tablet.The convertible mirrors the general aesthetic of the Dell XPS 13 ultrabook and other models in the XPS lineup, although the hybrid swaps out its predecessors aluminum look for a carbonfiber exterior.

The lid and exterior edge are framed by a machined aluminum edge, while the interior consists of a magnesiumalloy palm rest coated in matte black paint. The Dell XPS 12s body was made with a fingerprintresisting coating. It possesses a hinged, flipscreen LCD. Applying a push to the top of the screen frees the 12.5 inches, 1920x1080 resolution, 400nit brightness display from the magnetic locks that hold it in place. The convertibles 1.7 GHz Core i53317U processor sports Intel HD Graphics 4000 integrated graphics, which combine with 4 GB of RAM and a 128 GB solidstate drive and Core i5 processor, but ups the memory to 8 GB and the storage to 256 GB. Some models configuration includes the Core i7 processor, 8 GB of RAM, and the 256 GB SSD.This upgrade came as a boost in the Ultrabooks performance as well as battery life. Dell also added near field communication in this device.The hinge system was removed and replaced with a fully detachable display. The device has a 4K Ultra HD 3860x2160 display, a kickstand and an 8MP rear camera and a 5MP front camera. The new XPS 12 has an allmetal build from the new XPS 13.It is the companys first Ultrabook, a term coined by Intel. The edges are rounded and the bottom is made of carbon fibre, with a gentle silicone surface treatment. A battery level indicator was also present, and is functional when powered off.The XPS 13 Developer Edition comes preloaded with Ubuntu 18.04 LTS.The laptop also features face recognition to login.The battery capacity dropped from 60 watthours to 52 watthours, most likely due to the smaller form factor. Dell has dropped the barrelstyle connector, previously used to charge the device, and now includes two Thunderbolt 3, a micro SD card reader, one USBC port and one headphone jack. Dell is also offering a model in white, which uses a different palm rest material than the previous carbon fiber palm rest and deck on the 9360.

Dell again includes two Thunderbolt 3, a micro SD card reader, one USBC port and one headphone jack. This refresh has Intels 8th generation Core i38145U, i58265U, and Core i78565U processors, codenamed Whiskey Lake.It has a new 13.4 inch screen with aspect ratio of 16:10, and was launched in August 2019. This model has a soldered SSD which cannot be upgraded.It is physically identical to the early 2019 XPS 13 9380.It was launched during CES 2020.It is equipped with a 2011 1 GB NVIDIA GeForce GT 420M Graphics for Corei5 processors and GT 425M for Corei7 processors.it can also be customized with up to 8 GB of DDR3 memory. The computer can either have a 500 GB 7200 RPM SATA hard drive, or a 256 GB solid state drive. This laptop has a sleek anodized aluminium LCD back cover.It is equipped with a 2012 NVIDIA GT 630M on higher models or Intel HD graphics 4000 on the base model, and can be customized with up to 8 GB of DDR3 memory. The computer can either have a 500 GB 7200 RPM SATA hard drive, or a 256 GB solid state drive.This made it a good gaming laptop for its time. The base model comes with 500 GB 7200 rpm SATA hard drive. The computer can either have a 640 GB 7200 RPM SATA hard drive, or a 256 GB solidstate drive. The screen resolution is either 1366x768 or 1920x1080. The Nvidia graphics card used in Dell 15 L501x turns off or on automatically for specific applications demanding dedicated graphics. It is equipped with 2 MP webcam. It has two USB 3.0 ports and one eSATAp port. The following year the XPS 15 L502x had both its processor and graphics card upgraded, with the processor being upgraded from the Arrandale to the Sandy Bridge chipset and the graphics upgraded to either a Nvidia 525M or 540M with 1 or 2 GB of ram respectively.Includes a 15.6inch screen 1920x1080 Corning Gorilla Glass FHD WLED with TrueLife and was much thinner than its predecessor.

Its design was similar to Dell XPS 13 L321X and Dell XPS 14 L421X the edges are rounded and the bottom is made of carbon fiber, with a gentle silicone surface treatment. The base model XPS 15 comes with a 1920x1080 touchscreen display it is unclear if this is a TN panel or not, 500 GB HDD with 32 GB msata SSD cache, dualcore i54200H CPU, 8 GB RAM, integrated HD 4400 Graphics, and a 61Wh battery. A midrange model has a quadcore i74702HQ CPU, 32001800 PPS similar to IPS touchscreen, 16 GB RAM, GT 750M GDDR5 GPU, a 1 TB HDD with 32 GB SSD cache, and a 61Wh battery. The chiclet keys of backlight keyboard are matte black and feature a slightly concave surface area. The new model aligned with the previous model 9550 in terms of dimension and exterior ports, but inside the CPU and GPU were upgraded to Kaby Lake and GTX 1050, respectively. This convertible laptop features the 8th Generation Intel mobile processors with AMD GPUs integrated into the chip package. It was announced at CES 2018. This XPS 15 utilizes LPDDR3 RAM, which is soldered and not upgradable. This new model brings options for the new Coffee Lake quadcore Core i5, hexacore Core i7 and Core i9 processors, with the option for the latter, the sixcore Core i98950HK, being clocked at 2.9 GHz, with a boost clock of 4.8 GHz and the ability to be overclocked as well. This new model also comes with an option for the NVIDIA GeForce GTX 1050Ti graphics card, and has the optional fingerprint scanner integrated into the power button. The webcam placement has also been shifted to be underneath the DELL logo on the bottom of the display. It supports up to 64GB of memory with a bandwidth of 2666 MHz, as well as 2TB PCIe SSD storage. Launched on 27 June. The XPS 15 also got a smaller and higher resolution webcam of 720p, and more powerful speakers that aim up out of the laptop. It also got updated inside, including 10th Gen Intel Comet Lake CPU. DELL also offers two types of 15.

6inch Infinity Edge display 1920 x 1200 or 3840 x 2400, and two different capacity batteries 56Whr or 86Whr. Size 13.57 x 9 x 0.7 inches, Weight 4 pounds nontouch, 56Whr battery, 4.5 pounds touch, 86Whr battery. It is noted for having a very similar design to the current generation Apple Macbook Pro computer, and even sported a silver aluminum casing. The computer can either have a 750 GB 7200 RPM hard drive or a 256 GB solid state drive. Throughout its production, the XPS 15z was plagued with DCP latency related sound spikes due to faulty network drivers provided by Dell. The solution was to use third party drivers, as discovered by a community of forum users. Another chronic issue was the lower right corner of the LCD going dim at random times. Replacement of the entire LCD assembly would only temporarily solve this problem. Production of the XPS 15z ceased in the first half of 2012, but its design was carried on by the XPS 14z. It also has an LCD upgrade of 1920x1080 Full HD and 3D display kit. It will offer Intel's latest 10th Gen Core i9 45W processors, 64GB of RAM, and 2TB of storage. Compared to its predecessor, the XPS M1710, the model M1730 was physically redesigned with a completely new chassis available in a grey, white, blue, or red. Also like its predecessor, it featured a 17inch widescreen. From the components angle, it supported overclockable Intel Core 2 Extreme processors 2.8 GHz to 3.4 GHz overclocked via the X7900 or X9000 Processor, dual NVIDIA GeForce 9800M GTX video cards in SLI, up to two 7200 RPM SATA hard drives available in RAID, and up to 8 GB DDR2 SDRAM. A Bluray Disc Drive was an option in some models. New with this latest version was a built in optional AGEIA physics card to enable PhysX enhanced titles take advantage of hardware accelerated physics, the option for 64 GB solid state drives, a back lit keyboard including a number pad, and a Logitech gaming LCD display above the keyboard.

Thus, performs slightly better than the 9800M GT and 8800M GTX cards. The availability of the 9800M GTX SLI is rare, and may only be purchased in limited Dell direct outlets and on eBay. And in most cases, they are either out of stock, not on sale any longer or selling the previous 9800M GT and 8800M GTX graphics cards. The XPS M1530 is almost identical in design to the XPS M1330 except that it has 4 different colors blue, black, pink and red and it is a bit thicker and heavier with a 15.4inch CCFL or LED screen. Wireless draft n is also available 802.11n . The XPS M1530 includes a biometric fingerprint reader and a 2 MP webcam. Another option for this laptop is a glossy

1920x1200 display, even though it is 9 inches smaller than Dell's 24-inch monitor. Dell became aware that the problem was limited to Nvidia chip production, the BIOS was updated to A12 which improves thermal control but does not prevent it from reoccurring. The problem associated with Nvidia GPUs was the chip material used could not stand high temperatures. It features a 13.3-inch screen either with CCFL or WLED. The WLED backlit version has a 0.3 MP camera, as opposed to the 2 MP camera with the CCFL screen. The XPS 1330 with the WLED screen is thinner and brighter than the previous XPS 1210 version, the thinner WLED screen forcing the optics in the camera to be limited to 0.3 MP. Moreover, XPS 1330 can also feature a biometric fingerprint reader, usually found in business class laptops like the Latitude series. The XPS M1330 also offers the NVIDIA GeForce Go 8400M GS graphics card as an option. Originally, it could only be configured with Intel Core 2 Duo mobile processors up to T7700 2.4 GHz, but could later be configured with processors up to the Intel Core 2 Duo T9500. Noted for its light weight of only 1.8 kg, the XPS M1330 is also available in the product red line along with other Dell computers. It has been replaced by the M1340 Studio XPS 13.

This problem was exacerbated by poor thermal contact between the chip and the heat pipe the gap is too big. Some people have overcome the graphics chip overheating problem by fashioning a heat sink using a copper plate and thermal paste to fill the gap between the heat pipe and the graphics chip. Its full body is piano black and silver. When configured with the 9500M GE you are able to switch between the 9400M G running standalone and the 9400M G with the 9200M GS in Windows Vista, without logging out and back in like you must with Apple products due to the availability of Hybrid SLI. Although this model is still available in Europe with the 512 MB nVidia GeForce 210M graphics card and the NVIDIA GeForce MCP79MX Chipset. No replacement 13-inch Studio XPS has been announced. It has an illuminated QWERTY keyboard and leather accents on the lid are optional. Its full body is onyx black and silver. Dell was able to provide a fix for the issue with the help of community input. The M1647 motherboard still uses the Intel PM55 chipset as the M1645 but overall the motherboard uses less power than its predecessor. This computer was replaced by the XPS M1730. With the standard battery, the laptop weighs 1.9 kilograms. Unlike other 12-inch notebook computers, the M1210 features a built-in optical drive rather than an external. This model was discontinued as of July 31, 2007. It has a design very similar to the XPS M1710. It was initially given the Nvidia GeForce 256 MB 6800 Ultra Go GPU which was a Dell exclusive at the time. The laptop was rebranded as XPS M170 soon after the GeForce Go 7800 GTX was incorporated. The Inspiron 9300 was based on it, being substantially the same laptop with an ATI Mobility Radeon X300 in the base model. This model features a choice of several Intel mobile processors, 14.1-inch widescreen and between 512 MB to 2 GB of RAM. This model being more media-oriented than gaming currently does not feature a dedicated graphics card.

<http://www.drupalitalia.org/node/76716>