

Dw991 Manual

File Name: Dw991 Manual.pdf

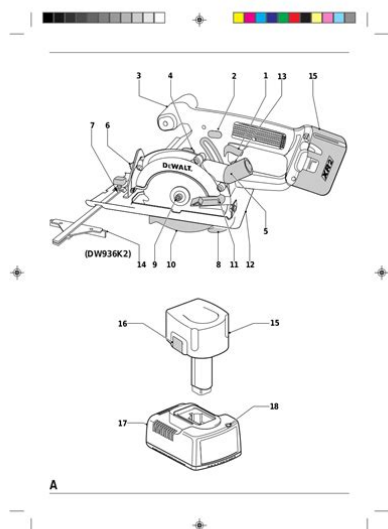
Size: 4704 KB

Type: PDF, ePub, eBook

Category: Book

Uploaded: 6 May 2019, 14:23 PM

Rating: 4.6/5 from 641 votes.



Status: AVAILABLE

Last checked: 12 Minutes ago!

In order to read or download Dw991 Manual ebook, you need to create a FREE account.

[**Download Now!**](#)

eBook includes PDF, ePub and Kindle version

[Register a free 1 month Trial Account.](#)

[Download as many books as you like \(Personal use\)](#)

[Cancel the membership at any time if not satisfied.](#)

[Join Over 80000 Happy Readers](#)

Book Descriptions:

We have made it easy for you to find a PDF Ebooks without any digging. And by having access to our ebooks online or by storing it on your computer, you have convenient answers with Dw991 Manual . To get started finding Dw991 Manual , you are right to find our website which has a comprehensive collection of manuals listed.

Our library is the biggest of these that have literally hundreds of thousands of different products represented.



Book Descriptions:

Dw991 Manual

These documentations are only intended for qualified technicians who are aware of the respective safety regulations. Products names, logos, brands and other trademarks are the property of their respective trademark holders in the USA and other countries. Motor gets hot Grinding or squealing sound No variable speed Motor gets hot Grinding or squealing sound No variable speed It also describes information tools available at eReplacementParts.com. It also describes types of drill batteries and offers a purchasing guide. Is there one from another model that will work, mine is broken. They did use that part on a number of different models. You might try locating a used tool for spare parts. Hope this helps, WJA. Get in touch. View, print, and email tool schematics and manuals. Please know our team is committed to supporting you and will connect with you soon. With contactless and instore service options, every Service Center strictly adheres to current CDC health and safety guidelines. Used Very Good Please try again. Please try again. Please try again. This Manual Covers Models English. Spanish. French. Safety Instructions. Battery Information and Charging. Variable Speed Switch. Keyless Chuck. Chuck Removal and Installation. Operation as a Drill. Drilling Instructions into Wood, Metals, Masonry, as a Screwdriver. Maintenance. Accessories, Then you can start reading Kindle books on your smartphone, tablet, or computer no Kindle device required. Register a free business account To calculate the overall star rating and percentage breakdown by star, we don't use a simple average. Instead, our system considers things like how recent a review is and if the reviewer bought the item on Amazon. It also analyzes reviews to verify trustworthiness. Please check your inbox, and if you can't find it, check your spam folder to make sure it didn't end up there. Please also check your spam folder. Power tools create sparks which may ignite the dust or fumes. <http://www.crystalrenault.com/home/content/21/11709421/html/crystalrenault.com/upload/delongi-bco-260-manual.xml>

- **dewalt dw991 manual, dw991 manual.**

Keep cord away from heat, oil, sharp edges or moving parts. Replace damaged cords immediately. Damaged cords may create a fire. A charger that may be suitable for one type of battery may create a risk of fire when used with another battery. Use of any other batteries may create a risk of fire. A moment of inattention while operating power tools may result in serious personal injury. Contain long hair. Keep your hair, clothing, and gloves away from moving parts. Loose clothing, jewelry, or long hair can be caught in moving parts. Air vents cover moving parts, and should be avoided as well. Be sure switch is in the locked or off position before inserting battery pack. Carrying tools with your finger on the switch or inserting the battery pack into a tool with the switch on invites accidents. A wrench or a key that is left attached to a rotating part of the tool may result in personal injury. Proper footing and balance enables better control of the tool in unexpected situations. Always wear eye protection. Dust mask, nonskid safety shoes, hard hat, or hearing protection must be used for appropriate conditions. Use the correct tool for your application. The correct tool will do the job better and safer at the rate for which it is designed. A tool that cannot be controlled with the switch is dangerous and must be repaired. Shorting the battery terminals together may cause sparks, burns, or a fire. Keep cutting tools sharp and clean. Properly maintained tools, with sharp cutting edges are less likely to bind and are easier to control. If damaged, have the tool serviced before using. Many accidents are caused by poorly maintained tools. Follow instructions in the Maintenance section of this manual. Use of unauthorized parts or failure to follow Maintenance Instructions may create a risk of shock or injury. Contact with a "live" wire will also make exposed

metal parts of the tool “live” and shock the operator. <http://edibleornamentals.com/userfiles/delonghi-cappuccino-manual.xml>

When not in use, place tool on its side on a stable surface where it will not cause a tripping or falling hazard. Under some conditions and duration of use, noise from this product may contribute to hearing loss. Some examples of these chemicals are To reduce your exposure to these chemicals work in a well ventilated area, and work with approved safety equipment, such as those dust masks that are specially designed to filter out microscopic particles. Wear protective clothing and wash exposed areas with soap and water. Allowing dust to get into your mouth, eyes, or lay on the skin may promote absorption of harmful chemicals. First read the safety instructions below. Then follow charging notes and procedures. However, if the outer seal is broken and this leakage gets on your skin Battery pack could be short circuited causing damage to the battery pack and possibly causing severe burns or fire. Cadmium is considered to be a toxic material by the Environmental Protection Agency. If battery pack case is cracked or damaged, do not insert into charger. Danger of electric shock or electrocution. Damaged battery packs should be returned to service center for recycling. Remove cap before placing battery in charger or tool. For example, do not place battery in aprons, Without cap in place, battery could short circuit causing fire or burns or damage to battery. In some batteries in the trash or provides an environmentally Other types of batteries may burst causing personal injury and damage. CAUTION Under certain conditions, with the charger plugged in to the power supply, the exposed charging contacts inside the charger can be shorted by foreign material. Foreign materials of a conductive nature such as, but not limited to, steel wool, aluminum foil, or any buildup of metallic particles should be kept away from charger cavities. Always unplug the charger from the power supply when there is no battery pack in the cavity. Unplug charger before attempting to clean.

Do not probe with conductive objects. Danger of electric shock or electrocution. Electric shock may result. DO NOT attempt to charge the battery pack with any chargers other than the ones in this manual. Any other uses may result in risk of fire, electric shock or electrocution. Use of improper extension cord could result in risk of fire, electric shock, or electrocution. The smaller the gauge number of the wire, the greater the capacity of the cable, that is 16 gauge has more capacity than 18 gauge. When using more than one extension to make up the total length, be sure each individual extension contains at least the minimum wire size. Place the charger in a position away from any heat source. Incorrect reassembly may result in a risk of electric shock, electrocution or fire. Removing the battery pack will not reduce this risk. Do not attempt to use it on any other voltage. This does not apply to vehiculat charger. Be sure to read all safety instructions before using your charger. The red charging light will blink continuously indicating that the charging process has started. The completion of charge will be indicated by the red light remaining ON continuously. The pack is fully charged and If this occurs, reinsert battery pack. If problem persists, try a different battery pack to determine if the charger is OK. If the new pack charges correctly, then the original pack is defective and should be returned to a service center for recycling. If the new battery pack elicits the same trouble indication as the original, have charger tested at an authorized service center. After the battery has cooled, the charger automatically switches to the Pack Charging mode. This feature ensures maximum battery life. The red light flashes long, then short while in the Hot Pack Delay mode. The charger and battery pack can be left connected with the red light glowing indefinitely. The charger will keep the battery pack fresh and fully charged.

A battery pack will slowly lose its charge when kept out of the charger. If the battery pack has not been kept on maintenance charge, it may need to be recharged before use. A battery pack may also slowly lose its charge if left in a charger that is not plugged into an appropriate AC source. This is a normal condition, and does not indicate a problem. DO NOT CONTINUE to use under these conditions. Follow the charging procedure. You may also charge a partially used pack whenever you

desire with no adverse affect on the battery pack. Electric shock may result. To facilitate the cooling of the battery pack after use, avoid placing the charger or battery pack in a warm environment such as in a metal shed, or an uninsulated trailer. If the plastic housing of the battery pack breaks or cracks, return to a service center for recycling. The charger will beep twice, the red light will blink and go off. The red light will blink and the charger will beep once indicating the charging process has started. This will be indicated by the red light remaining ON and 3 beeps. The pack is fully charged and may be used at this time or left in the charger. Such batteries are still usable but should not be expected to perform as much work. In such cases, about 10 seconds after battery insertion, the charger will beep rapidly 8 times to indicate a weak battery condition. The charger will then go on to charge the battery to the highest capacity possible. To remove the battery pack from the tool, press the release buttons and firmly pull the battery pack out of the tool handle. Insert it into the charger as described in the charger section of this manual. To turn the tool off, release the trigger switch. Your tool is equipped with a brake. The chuck will stop as soon as the trigger switch is fully released. The farther you squeeze the trigger, the faster the tool will operate.

Use lower speeds for starting holes without a centerpunch, drilling in metals or plastics, driving screws and drilling ceramics, or in any application requiring high torque. Higher speeds are better for drilling in wood, wood compositions and for using abrasive and polishing accessories. For maximum tool life, use variable speed only for starting holes or fasteners. It may damage the switch and should be avoided. When changing the position of the control button, be sure the trigger is released. NOTE The first time the tool is run after changing the direction of rotation, you may hear a click on start up. This is normal and does not indicate a problem. The higher the number on the collar, the higher the torque and the larger the fastener which can be driven. To lock the clutch for drilling operations, move to the drill bit position. Failure to do this will allow the clutch to slip while attempting to drill Figure 5 item A. Slide the gear shifter forward towards the chuck position 1, as shown in FIG. 5. To select the high speed, low torque setting, turn the tool off and permit to stop. Slide the gear shifter back away from chuck. If you are having trouble changing gears, make sure that the dual range gear shifter is either completely pushed forward or completely pushed back. Damage to the chuck and personal injury may result. Always lock off trigger switch when changing accessories. To insert a drill bit or other accessory, follow the steps listed below. Always lock the trigger in the off position when changing accessories. Tools originally built with a singlesleeve chuck have an internal locking mechanism that is not part of the chuck. Therefore the singlesleeve chuck will not function properly on tools originally built with standard twosleeve chucks. Using a wooden mallet or similar object, strike the longer end in the clockwise direction, as shown in FIG. 7. This will loosen the screw inside the chuck. Remove screw by turning clockwise lefthand thread.

Place hex key in chuck and tighten, as shown in FIG. 8. Using a wooden mallet or similar object, strike key sharply in the counterclockwise direction. This will loosen the chuck so that it can be unscrewed by hand. Tighten screw securely. Install and tighten the desired drill bit in the chuck. Follow these instructions for best results when drilling. For WOOD, use twist drill bits, spade bits, power auger bits, or hole saws. For METAL, use high speed steel twist drill bits or hole saws. For MASONRY, such as brick, cement, cinder block, etc., use carbidetipped bits. If drilling thin material, use a "backup" block to prevent damage to the material. Use enough pressure to keep the drill bit biting, but do not push hard enough to stall the motor or deflect the bit. **RELEASE TRIGGER IMMEDIATELY**, remove drill bit from work, and determine cause of stalling. This will help prevent jamming. Use a slow speed to start the hole and accelerate by squeezing the trigger harder when the hole is deep enough to drill without the bit skipping out. Operate at full on after starting the bit. Too much force will cause slower drilling speeds, overheating, and a lower drilling rate. Do not exert side pressure on the bit when drilling as this will cause clogging of the bit flutes and a slower drilling speed. Water causes clogging of bit flutes which will tend to make the bit bind in the hole.

These bits may overheat unless pulled out frequently to clear chips from the flutes. For larger holes, use low speed wood bits. Work that is likely to splinter should be backed up with a block of wood. The exceptions are cast iron and brass which should be drilled dry. The cutting lubricants that work best are sulphurized cutting oil or lard oil; bacon grease will also serve the purpose. Keep even force on the drill but not so much that you crack the brittle materials. A smooth, even flow of dust indicates the proper drilling rate.

Make a few practice runs in scrap or unseen areas to determine the proper position of the clutch collar. Wear safety glasses when performing this. Exterior plastic parts may be cleaned with a damp cloth and mild detergent. Although these parts are highly solvent resistant, NEVER use solvents. Do not use water or any cleaning solutions. As a work of the U.S. federal government, the image is in the public domain in the United States. File usage on Commons If the file has been modified from its original state, some details such as the timestamp may not fully reflect those of the original file. The timestamp is only as accurate as the clock in the camera, and it may be completely wrong. All structured data from the file and property namespaces is available under the Creative Commons CC0 License; all unstructured text is available under the Creative Commons AttributionShareAlike License;By using this site, you agree to the Terms of Use and the Privacy Policy. Please try again.Please try again.Please try your search again later.You can edit your question or post anyway.This screw is a genuine Dewalt chuck screw. It is constructed of tough steel for long life. It has a beveled head with torx drive for a secure fit. This screw is reverse thread for securing drill chucks. It also has locking compound within the threads for an even tighter installation. This screw is commonly found in Dewalt cordless drills and it is compatible with the tools listed below. It is not guaranteed to fit any other power tools.To calculate the overall star rating and percentage breakdown by star, we do not use a simple average. Instead, our system considers things like how recent a review is and if the reviewer bought the item on Amazon. It also analyses reviews to verify trustworthiness. Like you turn it and turn it and it pulls the Chuck so tight I to the drill. Truly amazing bolt. Please enable JavaScript on your browser, then try again. You may also like All Rights Reserved.

User Agreement, Privacy, Cookies and AdChoice Norton Secured powered by Verisign For more recent exchange rates, please use the Universal Currency Converter Number of bids and bid amounts may be slightly out of date. See each listing for international postage options and costs. Learn more opens in a new window or tab This amount is subject to change until you make payment. For additional information, see the Global Shipping Program terms and conditions opens in a new window or tab This amount is subject to change until you make payment. For additional information, see the Global Shipping Program terms and conditions opens in a new window or tab This amount is subject to change until you make payment. If you reside in an EU member state besides UK, import VAT on this purchase is not recoverable. For additional information, see the Global Shipping Program terms and conditions opens in a new window or tab Delivery times may vary, especially during peak periods. Learn More opens in a new window or tab Learn More opens in a new window or tab Learn More opens in a new window or tab Learn More opens in a new window or tab Learn More opens in a new window or tab Learn more See the sellers listing for full details. Contact the seller opens in a new window or tab and request a postage method to your location. Please enter a valid postal code. Please enter a number less than or equal to 1. Learn more All Rights Reserved. User Agreement, Privacy, Cookies and AdChoice Norton Secured powered by Verisign. Dont worry. it happens to the best of us. Wenn du die Website weiter nutzt, gehen wir von deinem Einverständnis aus. OK Weiterlesen. You can unsubscribe at anytime. Subscribe Personal information provided may be collected, used and disclosed in accordance with our Privacy Policy Connect with Us Connect with us on your favourite social networks. We'll let you know what we're up to, and you can tell us how we're doing. See us on the World Wide Web at www.dewalt.com.

comPagina 5 Variable Speed Switch To select the low speed, high torque setting, turn the tool off and permit to stop. Slide. Pagina 6 2. Drill straight, keeping the bit at a right angle to the work. Do not exert side pressure on. Pagina 7 Repairs. To assure product SAFETY and RELIABILITY, repairs, maintenance and adjustmentPagina 8 POUR TOUT RENSEIGNEMENT SUPPLEMENTAIRE SUR CET OUTIL OU TOUT UTILISATION ET ENTRETIEN DES OUTILSParmi ces REMARQUE Un capuchon est fourni avec la. Pagina 11 le chargeur. Un blocpiles n'étant pas maintenu en mode de tenue de charge devra etre Se servir de la basse. Pagina 12 Mandrin sans cle Retrait du mandrinPour utiliser le mode de perçage a percussion de l'outil, faire tourner le. Pagina 15 bien ventilada, y trabaje con equipos de seguridad aprobados, tales como mascararas con CARGADOR DE 15 MINUTOS FIG. 1El cargador mantendra la bateria completamente cargada. La bateria perdera FIG. 2 FIG. 3Pagina 17 NOTA La primera vez que encienda la herramienta despues de cambiar la direccion de Asegurese de apretar el broquero tomando. Pagina 18 2. Asegurese que el material que va a barrenar este firmemente anclado o asegurado. Operacion como destornilladorPagina 20 DEWALT Battery and Charger Systems. If the pictures or descriptions are not clear, please contact us. Positive Feedback is very important to us. We strive to always have repeat customers that have a great experience shopping at our store. If for any reason you are not completely satisfied with your purchase, please contact us and we can resolve the issue together. We do offer combined shipping for multiple purchases. All overpaid shipping costs will be refunded at the time of shipping. We are a member of the Global Shipping Program in order to accommodate customers in other countries. SHIPPING TIME Your item will be shipped the next business day after cleared payment has been received.

You will receive shipping notification through eBay shipping or through PayPal shipping when your item is mailed. PLEASE be sure your shipping address is correct. Super high amount of views. 0 sold, 1 available. More Super high amount of views. 0 sold, 1 available. You are the light of the world. Try refining your search, or use the navigation above to locate the post. To do this, we use the anonymous data provided by cookies.Out of these cookies, the cookies that are categorized as necessary are stored on your browser as they are essential for the working of basic functionalities of the website. We also use thirdparty cookies that help us analyze and understand how you use this website. These cookies will be stored in your browser only with your consent. You also have the option to optout of these cookies. But opting out of some of these cookies may have an effect on your browsing experience. This category only includes cookies that ensures basic functionalities and security features of the website. These cookies do not store any personal information. It is mandatory to procure user consent prior to running these cookies on your website.