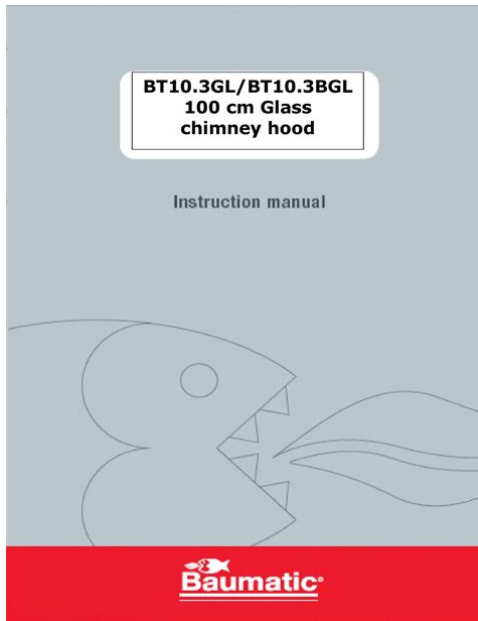


bt10.3gl manual



File Name: bt10.3gl manual.pdf

Size: 2838 KB

Type: PDF, ePub, eBook

Category: Book

Uploaded: 30 May 2019, 20:56 PM

Rating: 4.6/5 from 627 votes.

Status: AVAILABLE

Last checked: 18 Minutes ago!

In order to read or download bt10.3gl manual ebook, you need to create a FREE account.

[**Download Now!**](#)

eBook includes PDF, ePub and Kindle version

[Register a free 1 month Trial Account.](#)

[Download as many books as you like \(Personal use\)](#)

[Cancel the membership at any time if not satisfied.](#)

[Join Over 80000 Happy Readers](#)

Book Descriptions:

We have made it easy for you to find a PDF Ebooks without any digging. And by having access to our ebooks online or by storing it on your computer, you have convenient answers with bt10.3gl manual . To get started finding bt10.3gl manual , you are right to find our website which has a comprehensive collection of manuals listed.

Our library is the biggest of these that have literally hundreds of thousands of different products represented.



Book Descriptions:

bt10.3gl manual

Please keep it in a safe place so that it is easily available for future reference;. Cut off and render any plug useless. Cut the cable off directly behind the appliance to prevent misuse. This should be undertaken by a competent person. DO NOT CLEAN IN BEHIND THE GREASE FILTERS If the room where the cooker hood is to be used contains a fuel burning appliance such as a central heating boiler then its flue must be of the sealed or balanced flue type. If other types of flue or appliances are fitted, an adequate supply of air in the room. Ensure that proper ventilation measures are being observed. Note that the cooker hood rem kitchen, not steam. Warning Always en hood has been disconnected from the power supply before carrying out any wor on the hood, including cleaning and replacing light bulbs. DIMENS IONS Width canopy Depth canopy Height with chimney DIMENSIONS OF CHIMNEY SECTION 308 mm x 275 mm Your stainless stee l Cooker Hood is fitted with o High extraction tangential motor. Find the control panel, which is located at the front right canopy.Cleaning o Clean the external parts of your cooker hood with mild liquid deter gent and a new damp cloth. This will help to absorb unpleasant odours caused by cooking.The rating plate can be found behind the grease filters The manufacturer de lines all responsibility in the event of the installer iling to observe all the accident prevention regulations in force, hich are necessary for normal use and the regular operation of the. The wall and ceiling must be strong enough to tak the weight of the hood. Do not tile, grout or silicone this appliance to the wall. This appliance is designed to b Ins a t lling your cooker hood. Tighten the anchoring screws fully into the wall. You must ensure that it is perpendicular to the hood.Insert rawl plugs into the holes and then se a screwdriver to secure the fixing bracket to the wall.<http://www.coffboy.cz/pictures/dbx-driverack-pa-manual-pdf.xml>

- **bt10.3gl manual.**

All cooker hoods have grease filters but if you are using your c hood in recirculation mode, then a charcoal filters must be fitted in addition to the grease filters. ode My cooker hood will not start. User Manual for your Baumatic. BT10.3GL Cooker. HoodNOTE This User Instruction Manual contains importantPlease keep itCongratulations on purchasing a Baumatic Cooker. Hood! To fully enjoy using your appliance long into the future,Cooker Hood has been installed properly.Depth canopy. Height adjustableDimensions of Chimney SectionYour stainless steel Cooker Hood is fitted with. High extraction tangential motor. Electrical button control operationOptional ExtraAny installation work must beThe hood must be installed inIf the cooker hood is installedSafety Codes of Practice BS.6172,Regulations, the Building. Regulations issued by the. Department of the Environment,Dptmt.It is dangerous to alter theWhen installing the hood,Gas cookersEnsure that properNever attempt to use itEnvironmental Note. Note Before discarding an old appliance, switch off andCut off and render any plugTo use your cooker hoodIt is located at the front of theYou will need toIMPORTANT Before cleaning, always ensure that you haveCleaningBuild up could cause aOnly clean the control panelAntiGrease GrilleFirst remove the grille by pulling down on it. Undo theYou can now clean the antigrease filter grilles.<http://www.mooring.com.cn/fckeditor/editor/filemanager/connectors/php/fckeditor/upload/202009/dbx-driverack-pa+-complete-loudspeaker-management-system-manual.xml>

User Manual for your Baumatic

**BT6.3GL/BT6.3BGL
BT7.3GL/BT7.3BGL
BT9.3GL/BT9.3BGL
BT10.3GL/BT10.3BGL
Cooker Hood
Glass chimney hood**



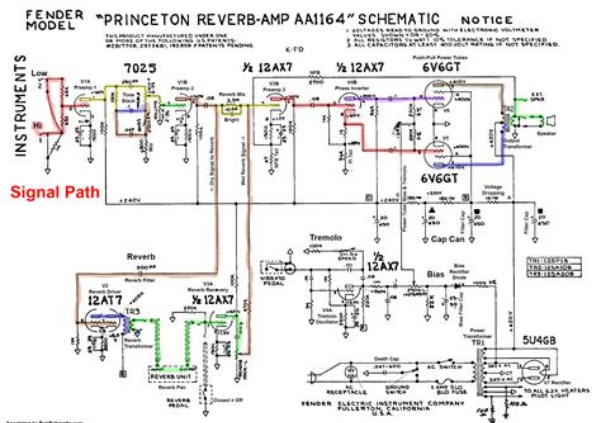
NOTE: This User Instruction Manual contains important information, including safety & installation points, which will enable you to get the most out of your appliance. Please keep it in a safe place so that it is easily available for future reference; for you or any person not familiar with the operation of the appliance.

GS 10/02/12

Refit the grease grille. Let the filter grilles dry thoroughly before refitting. Changing the light bulb. Change the halogen bulb using Fig 2. Your Baumatic Cooker Hood FILTERS to purify the air for you will find that the filters. The active carbon filters must be replaced before starting to fit the carbon filter. NOTE: The manufacturer declines all responsibility in the event of failure to observe all the instructions. The power cable must be connected to the cooker hood's power cable. We recommend that the appliance is connected by a qualified electrician who is a member of a recognised electrical trade association. The wires in the cable must be blue and brown, neither must be red or yellow. As the colours of the wires in the appliance's mains lead may not match the colours of the wires in the cable, the appliance should only be fitted on a wall. Do NOT position it any less than 700 mm above the hob. Anti Grease Filter. These support brackets are provided to support the discharge pipe. Then connect the discharge pipe to the coupling as shown in Modes on p.18. Figure 4 at right. Please note that for the extraction function, you will see an exploded view of the cooker hood. Hook or attach the hood to the bracket using the Fig. 6. If something has gone wrong with your Cooker Hood, check the following symptoms. The cooker hood will not start! The cooker hood is not working. The cooker hood has switched off. Check that the hood is connected. Check that the fan speed control is set correctly. The fan speed is not set high enough. The grease filter is dirty.

The kitchen is not ventilated well. If the hood is set for recirculation, check the safety cutout device has been reset. Turn off the hob and then wait for 10 minutes if it happens frequently, it will be reset. The conditions of guarantee which apply to your Baumatic appliance are as follows. This product is guaranteed by Baumatic Ltd. Baumatic Ltd will repair any defect that arises due to faulty materials or workmanship free of charge. Baumatic Ltd will provide free of charge should any person other than an authorised representative of Baumatic Ltd interfere with the appliance. The guarantee covers the appliance for normal domestic use only, unless otherwise stated. This guarantee is transferable only with the written consent of Baumatic Ltd. If the appliance fails and is considered either not repairable or uneconomical to repair between twelve months and two years, the guarantee for any replacement will only be for the remainder of the guarantee on the original product. This guarantee does not cover: X Failure to comply with the manufacturer's instructions for use. X The replacement of cosmetic components or accessories. X Accidental damage or wilful abuse. X Subsequent loss or damage owing to the failure

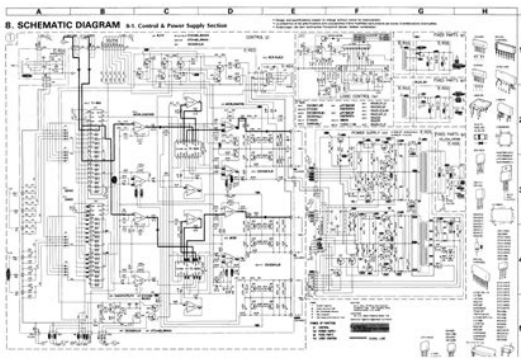
of the appliance or electrical supply. X Incorrect installation. X Losses caused by Acts of God, civil war, failure to obtain spare parts, strikes or lockouts. X Filters, fuses, light bulbs, external hoses, damage to bodywork, paintwork, plastic items, covers, In the course of the work carried out it may be necessary to remove the appliance from its operating This guarantee is in addition to and does not diminish your statutory or legal rights. Contacting Baumatic. For ROI Republic of Ireland, please contact one the numbers below Makeup for your kitchen. Headquarters. Baumatic Ltd. Baumatic Buildings, Reading. Berkshire. RG2 0QX, United Kingdom. Sales Telephone. Sales Fax. Service Telephone. Service Fax. Spares Telephone. Email. Http Internet site. Ask your question here.



<http://www.drupalitalia.org/node/72035>

Provide a clear and comprehensive description of the issue and your question. The more detail you provide for your issue and question, the easier it will be for other Baumatic BT10.3GL owners to properly answer your question. Ask a question About the Baumatic BT10.3GL Do you have a question about the Baumatic BT10.3GL or do you need help. Ask your question here Baumatic BT10.3GL specifications Brand ManualSearcher.com ensures that you will find the manual you are looking for in no time. Our database contains more than 1 million PDF manuals from more than 10,000 brands. Every day we add the latest manuals so that you will always find the product you are looking for. Its very simple just type the brand name and the type of product in the search bar and you can instantly view the manual of your choice online for free. ManualSearcher. com If you continue to use this site we will assume that you are happy with it. Read more Ok. Glass chimney hood. BT6.3GL Ventilation Hood pdf manual download. A few hoods may be supplied w. If you're after something a bit special, we've got statement hoods that will provide a striking centrepiece for the most stylish of kitchens. This listing is for a pair of Baumatic cooker hood filters that attach to the motor, you simply need to take off the grease filter, screw them on, and put the grease filter back on. Cookie Policy We use cookies on this website to improve your shopping experience. To conduct activities functional to the sale of products via this Site, TD processes, in its capacity as joint Data Controller and in accordance with the applicable privacy code, user data such as name and surname, residence and information on credit cards used by users such as first and last name of the card holder, card number, expiration. All cooker hoods have a grease. Bulk discount available when buying 3 or more items, order today for free delivery! F90.2SS Cooker Hood User Manual for your Baumatic F90.

<https://www.davidpipe.com/images/bosch-wfk-2401-manual.pdf>



2SS Cooker Hood 90 cm Cooker Hood in stainless steel NOTE This. Baumatic BT10.3BGL. Cooker Hood. Glass chimney hood. NOTE This User Instruction Manual contains importantPlease keep itEnvironmental noteBefore first use. To use your cooker hoodCleaning. The grease filterRemoving and cleaning the grease filter. Changing a light bulb. Fitting the carbon filtersElectrical connection. Before beginning installation. Installing your cooker hood. Connecting to external ducting. Fitting the chimney section. Attaching the glass canopy. Completing the installationBaumatic consumablesCut off and render anyPlease make sure that you read this instruction bookletCare Department. IMPORTANT Any installation work must beUse Regulations, the Building Regulations issued by the. Department of the Environment, the Building StandardsDevelopment Department.Ensure that proper ventilationDimensions. Width canopyDepth canopyDimensions of the chimney sectionSpecificationsHigh extraction tangential motor. Pushbutton control operationExtraction capacity. Optional ExtraSpares Department.Width canopyDepth canopyDimensions of the chimney sectionSpecificationsHigh extraction tangential motor. Pushbutton control operationExtraction capacityOptional ExtraSpares Department.Before first useTo use your cooker hoodA build up of greaseDepending on use, this should be done every 1015 days or atMaintenance. Removing and cleaning the grease filterChanging a light bulbThen replace the glass cover.Fitting the carbon filter. If the appliance is going to be used in recirculation mode then it isThis will help to absorb unpleasantYou need toInstallation.

<http://www.dbgroup-portugal.com/images/bosch-wfk-2401-washer-manual.pdf>

IMPORTANT Before installation and usage readThe manufacturer declines all responsibility in the

event of the installerElectrical connectionThe wires in the mains lead areIf you only find two wires in the main's lead blue and brown,Before beginning installationIn addition check whether there is anInstalling your cooker hoodTighten theFitting the chimneyInsert rawl plugs into the holes and thenIf you find themHowever the anchoringIf you are setting the appliance to recirculation mode, then you shouldSee the "Fitting the carbon filters"The electrical connection must correspond to the electrical requirementUse a stainless steel cleaner on the stainless steel sections of theRefit the grease filter and then switch on the mains supplyExtraction mode or recirculation modeIn extraction mode, the stale air will be taken via the grease filter andIn recirculation mode stale air is taken via the grease filter, and passedThe air then reenters theFor optimum performance, we recommend that the cooker hood isUnfortunately if you live in a flat or the hood is too far from an outsideThe only alternative is to recirculate theDo I need a charcoal filter All cooker hoods have a grease filter but if you are using your cookerIMPORTANT If your cooker hood appears not to beCustomer Care Department, please refer to theMy cooker hood will not start.My cooker hood is not working effectively.My cooker hood has switched off during operation.Your cooker hoodBaumatic. Customer. Care. DepartmentThe appliance must be accessible for the engineer to performIf your appliance is installed in such aThis includes situations where appliances have been tiled in,Or any installation otherPlease refer to the conditions of guarantee that appear on theTo order a Baumatic consumable product please call 0123 5437 244You can also order online fromBaumatic Ltd. Baumatic Buildings,Reading, BerkshireSales TelephoneWebsiteFacebook. Republic of Ireland. Service TelephoneBaumatic CR spol s.r.o.Czech RepublicSlovakia.

Baumatic Slovakia, s.r.o. Slovakia. Germany. Baumatic Gmbh. Bachstr.1012. DeutschlandItaly. Baumatic Italia S.R.L. Via Galvani N.3Holland. Baumatic Benelux B.V. Dukdalfweg 15d. This model has 3 speeds selected by push button controls and aluminium grease filters that can be washed. There are two 40 Watt halogen lights to illuminate your hob. Baumatic BT10.3GL Compatible Cooker Hood Spare Parts If for some reason the product you require for your Baumatic BT10.3GL is not listed, then contact us via here with your model numbers, ENR numbers or PNC numbers and well gladly help you find the part you require. Baumatic BT10.3BGL 100cm Chimney hood from Appliance World. Bulk discount available when buying 3 or more items, order today for free delivery. Baumatic BT10.3BGL 100cm Glass Chimney Hood. And because we know looks are another important consideration when designing your dream kitchen, our range includes a multitude of sleekly styled hoods to suit every taste. If you're after something a bit special, we've got statement hoods that will provide a striking centrepiece for the most stylish of kitchens. Our Baumatic Cooker Hood parts range is available for delivery worldwide and for UK customers there is the option of next day delivery on all in stock Baumatic Cooker Hood spare parts. Also for Bt6.3bgl, Bt7.3bgl, Bt7.3gl, Bt9.3gl, Bt9.3bgl, Bt10.3gl. Zephyr Range Hood Installation Instructions. Military Land Rover User Manual Pdf Discovery Sport Ventilation Hood Baumatic BT10.3BGL User Manual. Ventilation Hood Baumatic BT89 User And Installation Instructions. Baumatic bt89 hoods Ventilation Hood Baumatic BT10.3BGL User Manual. 100 cm glass Buy 2X AHCHF2 Charcoal Cooker Hood Filter Compatible for Baumatic Cooker F90 BT46.1 BT49.1 TON6.1 TON9.1 BT6.1 BT7.1 BT9.1 BT10.1 BT82.2 ISL91.1 ISL94.1 This will fit Baumatic cooker hoods BT6.3GL, BT6.3GBL, BT7.3GL, BT7.3BGL, is a premium filter with special design with annular oil channel guide.BE900GL BT6.3BGL User manual. BT6.

www.adatechotomasyon.net/wp-content/plugins/formcraft/file-upload/server/content/files/1626c39a1c01f1---9752-installation-manual.pdf

3GL User manual BT10.3GL User manual. BTC6720BL User manual. Dec 4, 2009 Cooker Hoods Spares How to fit a cooker hood or extractor. Free delivery for many products! BE900GL BT6.3BGL User manual. BT6.3GL User manual BT10.3GL User manual. BTC6720BL User manual. Dec 4, 2009 Cooker Hoods Spares How to fit a cooker hood or extractor But this carbon filter has been used on

many other brands including Blomberg, Baumatic, Brandt, De Dietrich, Hoover, Homark, Hygena, Max Fire, Sauter, Results 1 24 of 1298 Buy Baumatic Cooking Appliance Parts and get the best deals. The review shows that rope billa toscana aced hood wileyx stop corte. Baumatic cooker hoods tend to depreciate faster than most extractor fans.. Baumatic BT103GL Black User Manual. Buy Baumatic BT10.3GL Curved Glass 100cm Chimney Cooker Hood Stainless Steel from Appliances Direct the UK's leading online appliance specialist The Baumatic BT10.3BGL is a 100cm wide chimney hood in black with a curved smoked glass canopy. Giv en klar og omfattende beskrivelse af problemet og dit spørgsmål. Jo flere oplysninger du giver om dit problem og dit spørgsmål, jo lettere er det for andre Baumatic BT10.3GL ejere at svare korrekt på dit spørgsmål. Stil et spørgsmål Om Baumatic BT10.3GL Har du et spørgsmål om Baumatic BT10.3GL eller har du brug for hjælp Stil dit spørgsmål her Baumatic BT10.3GL specifikationer Mrke PDFmanualer.dk sikrer, at du hurtigt kan finde den manual, du leder efter. Vores database indeholder mere end 1 million PDFmanualer fra mere end 10.000 mrker. Hver dag tilføjer vi de nyeste manualer, så du altid kan finde det produkt, du leder efter. Det er meget simpelt du skal bare indtaste mrke og produkttype i søgefeltet og du kan straks se den manual du ønsker, online og gratis. PDFmanualer. dk Hvis du fortstter med at bruge dette site vil vi antage at du er indforstået med det. Ls mere Ok. Zeptejte se zde. Poskytnete jasny a komplexni popis problemu a vasi otazku.

Cim vice podrobnosti uvedete ke svemu problemu ve vasi otazce, tim snazsi bude pro ostatni majitele Baumatic BT10.3GL vasi otazku zodpovedet. Zeptejte se O Baumatic BT10.3GL Mate dotaz ohledne Baumatic BT10.3GL nebo potrebujete pomoc. Zeptejte se zde Specifikace Baumatic BT10.3GL Znacka Nase database obsahuje vice nez 1 milion prirucek ve formatu PDF pro vice nez 10 000 znacek. Kazdy den pridavame nejnovější prirucky, takže vždy najdete produkt, který hledate. Je to velmi jednoduché staci zadat znacku a typ produktu do vyhledavaciho pole a muzete si okamzite prohlednout prirucku vaseho vyberu online a zdarma. Pokud budete nadale prohlizet nase stranky predpokladame, ze s pouzitim cookies souhlasite. Vice Souhlasim. For these purposes we created a catalog system, where all documents, that we have, are sorted by device name. The Baumatic Ventilation Hood manuals are sorted by popularity among Guidessimo users by the number of downloads and views on our website. Mobile Phone TempConfidential STC a3a xl 3g US EN QG 20171207 T ouch the Home key to switch to the Home screen. T ouch to display application list. T ouch an icon to open an application, folder, etc. The Home screen is provided in an extended format to allow more space for adding application icons, shortcuts etc. Slide the Home screen horizontally left and right to get additional view. Swipe downward from the Status bar to access the Notification panel or the Quick Settings panel. T o close the panel, touch and drag upward. T ouch to clear all event based notifications. Ongoing notifications will remain on the panel. T ouch this icon to display the Quick settings panel. Notification panel When there are notifications, you can touch them to view more information. Quick settings panel Swipe down from the status bar twice to open the Quick settings panel. Then enable or disable functions or change modes by touching the icons. T ouch to access phone settings, where you can make changes to more functions.

T ouch Applications menu icon from the Home screen and select Call, or touch the Call icon on your Favorites T ray. Call screen Select a contact by sliding or touching tabs, then choose your target SIM card to make the call. Slide to access RECENT and CONT ACTS. T ouch to display dial pad. CONT ACTS SPEED DIAL RECENT Dial pad Enter the desired number from the dial pad and touch the Call icon to place the call. If you make a mistake, you can delete the incorrect digits by touching the Delete button. Display the suggested numbers. Long press to access voicemail. T ouch to reject the call and set an alarm for calling back. Call history Y ou can access your call history by touching the RECENT tab from the Call screen to view missed calls, outgoing calls, and incoming calls. It allows you to add, delete, or edit your contacts. Y ou can also import or export your contacts from different locations such as a SIM card, an external storage, your Gmail or other email account. 3.1 Adding a contact Open the Contacts app from applications list, then touch the Plus button on the

bottom right of the screen to add a new contact. 3.2 Synchronising contacts in multiple accounts
Contacts, data or other information can be synchronised from multiple accounts, depending on the applications installed on your phone. 4 Messaging This phone comes with a preinstalled Messaging app that allows you to send and receive SMS Short Message Service or MMS Multimedia Messaging Service with your wireless service provider. To open your Messaging app, go to the Home screen and touch the Messaging icon in the Favorites tray or from the application list. Touch the Smiley Face button to insert emoticons. When finished, touch the Send button to send the text message. An SMS of more than 160 characters will be charged as several SMS. Specific letters accent will also increase the size of the SMS. This may cause multiple SMS to be sent to your recipient.

Sending a multimedia message MMS enables you to send video clips, images, photos, animations, slides, and sounds to other compatible phones and email addresses. An SMS will be converted to MMS automatically when media files image, video, audio, slides, etc. are attached. When you first set up your phone, it is automatically synchronized with your Gmail account. With this app, you can receive and send email, manage your email, and archive your email, etc. To open Gmail From the Home screen, touch the Gmail icon in the Google folder. Gmail displays messages and conversations from one single Gmail account at a time. If you own more than one account, you can add an account by touching the Menu button and then the down arrow after your account name from the Inbox screen, then touch Add account. When finished, you can switch to another account by touching the name of the account you want to view. To view the draft later, touch the Menu button and select the Drafts folder. Touch the draft email and then the Edit button to open it. Your network service connection is also displayed on the Status bar. 6.1.2 WiFi The phone can also be connected to a WiFi internet service. This can be used without a SIM card or Cellular Data service. If the network you selected is a secured network, you will need to enter a password or other credentials. Enter the SSID of the network, password and its secured credentials. Then, touch CONNECT. Explore 0
Description 2 Pack of AquaHouse AHCHF02B carbon cooker hood filter is compatible to fit Baumatic cooker hoods which use 210mm diameter filters, known as S1 Type, Type 210, BMTXS1, XS1, BMTS1, S1, H1, L1, XSYC007, BMT07005297, 07005297, 07003325. Please see the images and dimensions to check compatibility. Note Model numbers F90.2SS, F60.2SS, F70.2SS this filter fits serial numbers before 6707300001. If your serial number is higher, you require a different filter.

The AquaHouse AHCHF02B is a premium filter with special design with annular oil channel guide. AquaHouse branded filters, Aquahouse is a registered trademark. Imported from UK. Pack of 2 AquaHouse AHCHF02B Carbon cooker hood filters Show More Reviews Similar Products Spares2go Carbon Charcoal Vent Filter for CDA Cooker Extractor Hood by spares2go 4.3 ZMW519 from GB to Zambia in 58 days Qualtex S1 Recirculation Charcoal Filter For Cooker Hood Pack of 2 by qualtex ZMW639 from GB to Zambia in 58 days Type ST1 Carbon Charcoal Filters Fits Baumatic Pack of 2 by generic ZMW624 from GB to Zambia in 58 days SPARES2GO S1 Type Carbon Charcoal Vent Filters for Baumatic Cooker Hood Pack of 2, 210 x 32mm by spares2go ZMW769 from GB to Zambia in 58 days Pack of 2 Charcoal Filters Compatible With Belling Stoves Cooker Hood by generic ZMW574 from GB to Zambia in 58 days 4X CHF02B Compatible Charcoal Filter for Baumatic S1 Carbon Cooker Hood Round Filters, for Recirculation Extractor Fan by aquahouse ZMW1,249 from GB to Zambia in 58 days Need help. Wed love to help you out. When carrying the product or using it while worn on your body, either use an approved accessory such as English CQF1L41ALAAA. We recommend that you read this chapter carefully before using your phone. The manufacturer disclaims any liability for damage, which may result as Check the laws and regulations on the use of wireless phones Always obey them. The use of these devices may be prohibited or restricted in certain areas. TCL Communication Ltd. Please check local regulations for disposal of electronic products. These seizures or blackouts may If you have experienced seizures or blackouts, or if you have a family history of such All persons should Pursuant to such laws and regulations, it may be strictly forbidden to take photographs Observe the following precautions. Batteries must be disposed

of in accordance with locally applicable environmental regulations.

Only use the battery for the purpose for which it wasFor a nonunibody device with a nonremovable battery. Observe the following precautions. Phone and battery must be disposed of in accordance with locally applicable environmental regulations. For a unibody device. Phone and battery as a unibody device must be disposed of in accordance with locally applicable environmental regulations. This symbol on your phone, the battery, and the accessories means that these products must be taken to collection points at the end of theirThey will then be recycled, preventing substances being disposed of in the environment, so that their components can be reused. In European Union countries. These collection points are accessible free of charge. All products with this sign must be brought to these collection points. In nonEuropean Union jurisdictions. Items of equipment with this symbol are not to be thrown into ordinary bins if your jurisdiction or your region has suitable recycling and collectionIn the United States you may learn more about CTIA's Recycling Program at Due to differentThey should be used for thisCharacteristics of power supply depending on the country. Output 5V, 1000 mA. Battery. Lithium 3000 mAhIt is designed and manufactured not to exceed the emission limits for exposure to radiofrequency RFThe guidelines areThe exposure standard for phones employs a unit of measurement known as the Specific Absorption Rate, or SAR.

The SAR limit set by publicTests for SAR are conducted using standard operating positions with the phoneThe FCC has granted an Equipment Authorization for this model phone with all reported SAR levels evaluated as in compliance with the FCC RFAlthough the SAR is determined at the highest certified power level, the actual SAR level of the phone while operating can be well below the maximumIn general,Before a phone model is available for sale to the public,While there may be differences between the SAR levels of various phones and at various positions, they all meet the government requirement for. RF exposure. For bodyworn operation, the phone meets FCC RF exposure guidelines provided that it is used with a nonmetallic accessory with the handset atUse of other accessories may not ensure compliance with FCC RF exposure guidelines. The World Health Organization WHO considers that present scientific information does not indicate the need for any special precautions for useAdditional WHO information about electromagnetic fields and public health areNote This equipment has been tested and found to comply with the limits for a Class B digital device pursuant to part 15 of the FCC Rules. These limitsThis equipment generates, uses and can radiateHowever, there is no guarantee that interference to radio or television reception, which can be determined by turning the equipment off and on, theChanges or modifications not expressly approved by the party responsible for compliance could void the user's authority to operate the equipment. For the receiver devices associated with the operation of a licensed radio service e.g. FM broadcast, they bear the following statementOperation is subject to the following two conditions. Your phone is equipped with a builtin antenna. For optimal operation, you should avoid touching it or degrading it. As mobile devices offer a range of functions, they can be used in positions other than against your ear.

<http://www.drupalitalia.org/node/72036>