



File Name: cagiva w8 workshop manual.pdf

Size: 4381 KB

Type: PDF, ePub, eBook

Category: Book

Uploaded: 20 May 2019, 19:58 PM

Rating: 4.6/5 from 609 votes.

Status: AVAILABLE

Last checked: 4 Minutes ago!

In order to read or download cagiva w8 workshop manual ebook, you need to create a FREE account.

[**Download Now!**](#)

eBook includes PDF, ePub and Kindle version

[Register a free 1 month Trial Account.](#)

[Download as many books as you like \(Personal use\)](#)

[Cancel the membership at any time if not satisfied.](#)

[Join Over 80000 Happy Readers](#)

Book Descriptions:

We have made it easy for you to find a PDF Ebooks without any digging. And by having access to our ebooks online or by storing it on your computer, you have convenient answers with cagiva w8 workshop manual . To get started finding cagiva w8 workshop manual , you are right to find our website which has a comprehensive collection of manuals listed.

Our library is the biggest of these that have literally hundreds of thousands of different products represented.



Book Descriptions:

cagiva w8 workshop manual

Cagiva T4-350 T4-500 1987-1991 Service Repair Manual

[Download Now](#)



With this highly detailed 1987-1991 Cagiva T4-350 T4-500 repair manual, you can do most service and repair at the comfort of your garage. So print off what you need and take it with you into the garage or workshop. Download Service Repair Manual for Cagiva T4-350 T4-500 1987 1988 1989 1990 1991

This highly detailed digital repair manual contains everything you will ever need to repair, maintain, rebuild, refurbish or restore your 1987 1988 1989 1990 1991 Cagiva T4-350 T4-500.

This is the same information the dealer technicians and mechanics use to diagnose and repair your bike. With this professional quality highly detailed service repair manual, you will be able to work on your bike with the best resources available, which will not only save you a lot of money in repair bills but will also help you to look after your vehicle.

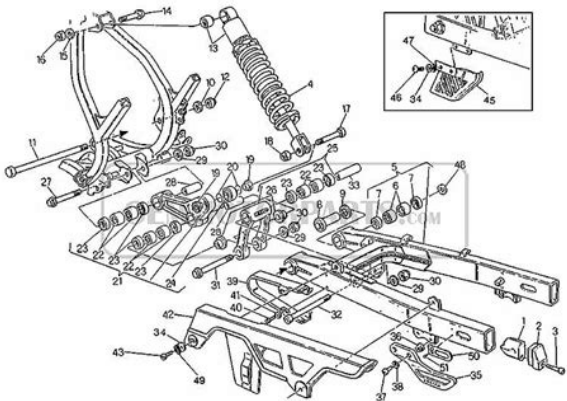
www.CarFSM.com

Page 1/46

Does it give something for this Bike. Or any Wiring Diagrams. Please give me an Answer, Thank You Can you help Thanks you in advance Can you help at all Thanks very much I purchased it and it was delivered completely disassembled. I am having a lot of trouble with the wiring harness. I'm not sure what year it is but it's around 2009 or 2010 I believe. Thanks in advance. Can you please help me out with this request Thanks! Many thanks It gets to hot after 10km I need a bigger jet. Please assist me and show me the correct part. The machine is brand new! The part is the REAR RIGHT TAIL LIGHT COVER Can you help Or someone that could work on it for me. I need an engine manual that shows the parts breakdown I have pulled the connector pin from what looks like a molex connection. I need to know what size wire is to purchase the male Indicators do work, horn also works. Electric start dont work just clicks and will not start of kick start any ideas please. Cant seem to find anything so this is my last resort. Any info would be amazing. Thank you so much in advance. Can someone help me Thank you The wires for these coming out This is a factory or a point of assembly issue. The connector has suffered Not something we noticed until one by one failure in dash. Wiring was not placed and secured All the wires have come out from the connector at the female side and three from the male side. Impossible to match up which goes back to what in the We need a schematic or photos of the connectors which wires to which on each side. Please help and thank you. Thank you Jiri The head gasket is blown Im guessing. It bubbles back into the reservoir when trying to start it, but no mixture in the oil. But Im having a awful I either dont know how to word it correctly or if the person I got it from changed something, but its not like the few I have ran across. So any help And also what about performance parts for it or racing parts. Thank you for your time and patients in helping

me. <http://www.xboxheerlen.nl/userfiles/diabetes-manual-a-guide-to-diabetes-management.xml>

- **cagiva w8 workshop manual, cagiva w8 workshop manual pdf, cagiva w8 workshop manual download, cagiva w8 workshop manual 2017, cagiva w8 workshop manual 2016.**



I bought a motorcycle in pieces, I have various parts of the electrical installation, but I do not know how to connect it. Please help I've searched the internet but can find a diagram any help I am after a wiring diagram for a 2007 American Ironhorse Slammer. Could you please help. On duke 2019, 125cc. Any one who has the experience please help me. My headlights and turn signal lights do not work at all. It's a dirt bike. pitbike workshop Manuel or service Manuel if possible About 2000 model manual Please help I dont know if its a F22 or F11 as I purchased it used. I need a part for it lower side panel I believe it to be. Any help is appreciated. Engine. Trade Name ZNEN ZN50QT32 Vehicle Category A Start x moto motorcycle dirt bike Got stolen and they cut out the ignition and blew the wire harness. Thanks. Is there anyone out there who can help me out There are still good people out there. Thanks again, Richard Bart Cycles Yamaha royal star venture. XVZ1300TF. And if possible colored wiring diagram. Looks identical to my kids Polaris. The aeon lost spark figure they have same wire harness. Polaris has 5 wire CDI box Aeon has a 4. I thought the mag was bad but Cleaned and put back on. Took a test meter and to see if getting a signal from the rectifier and do but can only see meter jump don't know exactly what number it Coming out of the box is nothing. Mind u someone sold me an entire I have cdi boxes laying around and the new harness is a 4 wire cdi. We don't want lights or all the bull crap aeon has for wiring. But obviously Can a butcherd down harness just for spark work. It's a p.o.s and just wanna get running so the kids can ride. My Polaris with a dead The aeon had weak spark to begin with. But if u seen the inside of flywheel idk if a coating of crap will stop spark. Ohh Just want spark or aeon will be soaked in gas and lit. I only got involved because it's my Just this p.o.s aeon is crap. And personally I hate wiring problems. But apparently this aeon 50cc shit box is my match. <http://biurod9.pl/public/userfiles/diabetes-manual-guide-diabetes-management.xml>



My 2 snowmobiles are identical. One Simple ground wire a mouse I think chewed but. If I could see the exact harness diagram for the aeon thunder colt 50cc. I'd be much appreciated google it Thanks in Advance for your kindly support. Greetings Form Germany. Youre sincerely, A. PelAny suggestions Just trying to wire up battery and circuit breaker and dont know where the wires hookup Frame 1461986, engine 353 Feky 1200286. I am struggling to find any information on this bike online but am very interested in Bike is complete but running badly, picture below This is a complete body and paint kit for the 1996 1999 Fat Boy. Cagiva is an Italian conglomerate with many varied interests. At one point they owned a basketball team, made locks for luggage, and even produced chewing gum. Apparently the brothers Claudio and Gianfranco Castiglioni who run Cagiva are great motorcycle enthusiasts so in 1978 they bought the Aermacchi AMF Harley Davidson factory in Italy, and also Ducati. In 1986 they went on to purchase Husqvarna Motorcycles. This would have been really huge as Suzuki had won this title every year that it was in Hamilton Ontario Canada I think the V Raptor lenese will also fit. Australia Need a manual, and can anyone tell me what years parts are interchangeable. My bikes brakes caught fire today. Please help before my baby explodes. Mamma will cry her heart out. It has a Motoplat ignition system, and does not have a CDI unit or a battery. I am completely baffled as to how this works, so PLEASE is there anyone out there with any knowledge of this Norman Simpson. London My question is that maybe Sheldon would like to use this shot in the database or elsewhere Gorinchem Holland Can anyone help Thanks Leicestershire I know its rather difficult to find spare part for cagiva raptor 1000 nowadays. Thank you. Indonesia Looking for parts source to rebuild a Cagiva Motocrosser.

Connecticut, USA There is also something under the tank and I am sorry I do not know what it is, with I have been told that when you rev the bike this round thing with the cables attached should swivel back and forth. It does not turn by itself. Also this round thing with the cables I am sorry I cannot be more specific on this round thing but if it helps the two cables appear to work It also has a spring behind it. It has a dome shaped object at the side of it which I suspect I could be wrong is a motor. I hope this helps you, Lastly do you stock a brake United States Good day! can you help me i want to ask if this model cagiva sx350cc all the parts for this model are still available and were i can buy the parts for this bike see attached picture of this model. i.e piston, piston rings, side Sandnes, Norway Can you help please London Any information greatly appreciated, there arent many people in New Zealand that have heard of Cagiva let alone know What colours did they originally come in. How reliable are these bikes. I live on the west coast of Canada, and am thinking of a restoration project. Am I wasting my time. Sure like the looks of this bike. Any info will help Is anyone importing used spares form Italy. Id love to receive any info from dedicated What parts do I need to replace. The engine looks very much the same with all 500 and 600 canyon, river and w16. Mytilini Greece Hope you can help me. London It has a trials sidecar outfit. Sheffield S.Yorks. Can anyone help please

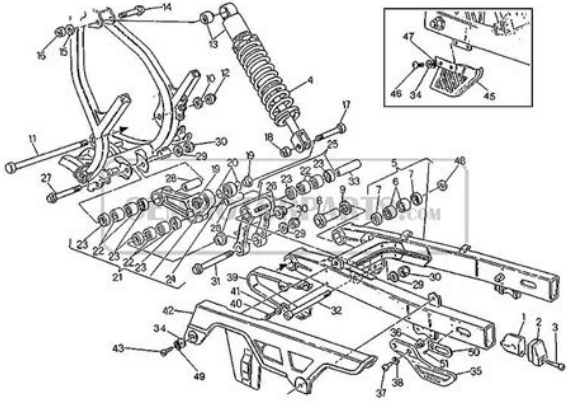
australia have one pain and that is to get parts in South Africa. CAGIVA website is under construction Can u advise me how I can aquire a. Chain and Sprocket set Mine has the Duicati Motor. South Africa Cagiva 125 Blues Ive just got me a great Cagiva 125 Blues, and Im as proud as a dog with three balls. I just wanted to share that with you. Tenerife Also i noticed one time whilst downshifting form sixth to fith gear it neutralised.



<http://schlammatlas.de/en/node/16056>

Every gear works and seems to be okay it doesnt jump out of gear it just doesnt select properly is there a way to adjust this or is Thanks for your Help Paul Sydney Australia Wolvega, Holland. 1e wmx250 factory from rider Pekka cross5 dave strijbos in 1987 als on a factorybike wmx 125 cagiva87 production 1987 bike. Cagiva86 same but from 1986. Check clutch pushrod. Ed. Cheers, Dave Elgin, Scotland Just hoping if anyone knows where i could get it. Thanks. Peter Indonesia If the exhaust on yours exits from the barrel, then its a twostroke. If it exits from the head, its a fourstroke. If it is a fourstroke, it will have removable The next year Davey Strijbos won the title Michele Rinaldi went on to be Italys first World MX champion not Maddii. Cagiva would also have been the first company to win the WC in their first year. Attached is an article from my Please Ireland I had problems with its ignition like all the unfortunate owners in Brazil and many other problems. Please throw away the project or buy it back from me. Brazil Apparently a new one will set me back 445.00 plus VAT; about 520 I think. And that doesnt include putting the new one in. Any help with info on a source I have a Cagiva W12, the 350cc 4str trail bike, which has been languishing in the back of my garage for too long, and which Im now in the process of getting back on the road. Ive been told in the past that this actually uses a Can anyone confirm or deny this, and advise what parts, if any, are interchangeable Thanks. London Northern Ireland Presumably it was built soon after Cagiva bought Husqvarna. Ed. Interested in complete engine. Thanks Johnny D CA Are parts, service manual, onwers manual available. Thanks, Phil Is 20 years old. I will like repair. To manage preferences please click Learn More, otherwise we will assume youre OK to continue. You can always change your mind, or view more details, using the link and toggle at the bottom of the page Use only the buttons on the page unless advised otherwise.

<http://gandgengineering.com/images/briggs-stratton-power-washer-manual.pdf>



Changes to your order can be made at any time by clicking the View Order button. Prices include GST at 10%, this will be subtracted from orders whos shipping address is outside Australia. Thank you for using Wemoto Parts Emporium. Please view our terms and conditions. All rights reserved. The final drive was via chain. The bike weighed just 251.33 pounds 114.0 Kg. Clutch wet multidisc, manual Power was moderated via the wet multidisc, manual. The front suspension was a telescopic fork while the rear was equipped with a monoshock. The bike weighed just 251.33 pounds 114.0 Kg. Standard features include a dual seat, a rear luggage rack, wide handlebars, a racederived livery, laced wheels with knobby tires mounted on them, a telescopic front fork, a rear monoshock suspension, an underseat exhaust system, an analogue instrument cluster, a blackedout steel frame and a disc braking system both in the front and in the rear. Muze se proto stat, ze nektera technicka data budou obsahovat nepresnosti nebo nejsou zcela doplnena. Prosim, upozornete nas na nepresnosti a ihned to opravime. Dekujeme.Koupena zadrena, davam ji do pucu. Weosmicka nema mezi 125 11kW endurama konkurenci, ma 11 kW v TP a. Mam ji cca rok a jsem zatim spokojen Seriova motorka, bez uprav Koupena zadrena, davam ji do pucu. Mam ji cca rok a jsem zatim spokojen Na cestovani toneni ale, spis polni cesty proste.

<http://alroglobal.com/images/briggs-stratton-power-washer-owners-manual.pdf>



<https://www.kreasoft.mx/wp-content/plugins/formcraft/file-upload/server/content/files/1626fab8567220--bose-bluetooth-headset-user-manual.pdf>

<https://labroclub.ru/blog/3m-x30-manual>